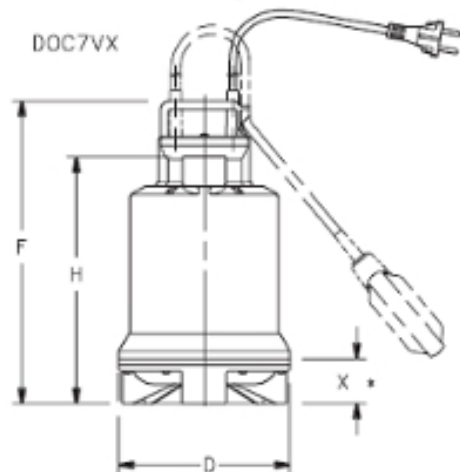
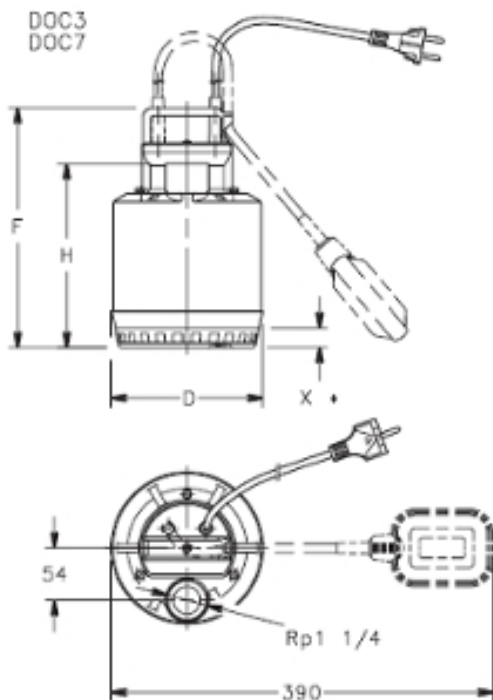
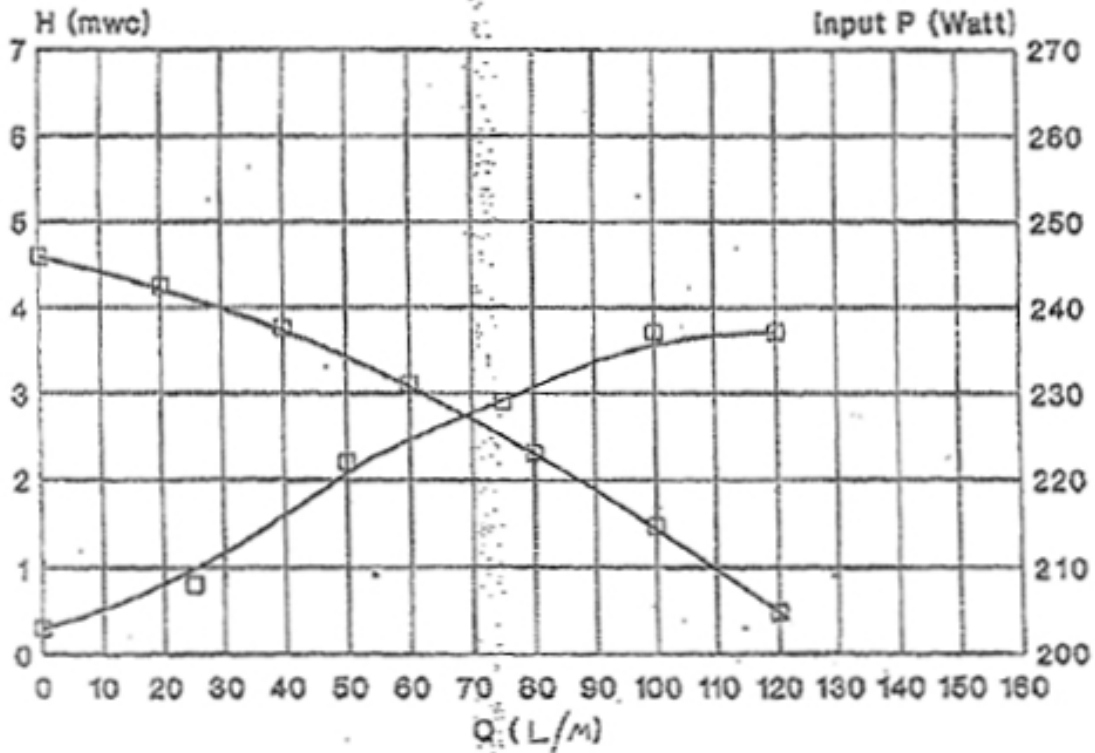


Lowara DOC 2

DOC 2 50cycles 2poles 240V
 Impeller dia. 73.5 mm



DIMENSIONS (mm)				WEIGHT
F	H	D	X*	kg
245	188	155	20	4
285	228	155	20	6
310	252	175	45	6



DOC Series

Submersible pumps for clear and dirty water. Corrosion-resistant and compact, they are available in three versions with channel or Vortex impellers. Supplied with or without float switch. Built-in capacitor. The motor is cooled by the pumped liquid and thermal overload protection to protect the pump in case of overheating.

3

SPECIFICATIONS

Delivery: up to 14 m³/h

Head: up to 11 m

Power supply: three-phase and single-phase 50 and 60 Hz

Power: 0.25 kW to 0.55 kW

Maximum immersion depth: 5 m

Temperature of pumped liquid: 0°C to +40°C

Liquids with suspended solids:

DOC 3 and DOC 7 up to 10 mm,

DOC 7VX up to 20 mm

Insulation class: B

Protection: IP68

Length of cable:

5 m (for internal use)

10 m (for external use)

APPLICATIONS

- Emptying of residential sump pits, rain water tanks
- Garden and lawn irrigation
- Emptying of tanks or reservoirs
- Emergency draining of flooded areas or rooms

Available on request: "shallow suction device" (for DOC 3 and DOC 7) assuring complete drainage of flooded floors (up to 3 mm from floor)

MATERIALS

Pump body: Noryl®

Suction screen: Noryl®

Handle: Noryl®

Upper support: Noryl®

Impeller: Noryl®

Outer sleeve: Stainless steel

Motor casing: Stainless steel

Lower cover: Stainless steel

Screws and tie-rods: Stainless steel

Shaft extension: Stainless steel

Elastomers: NBR

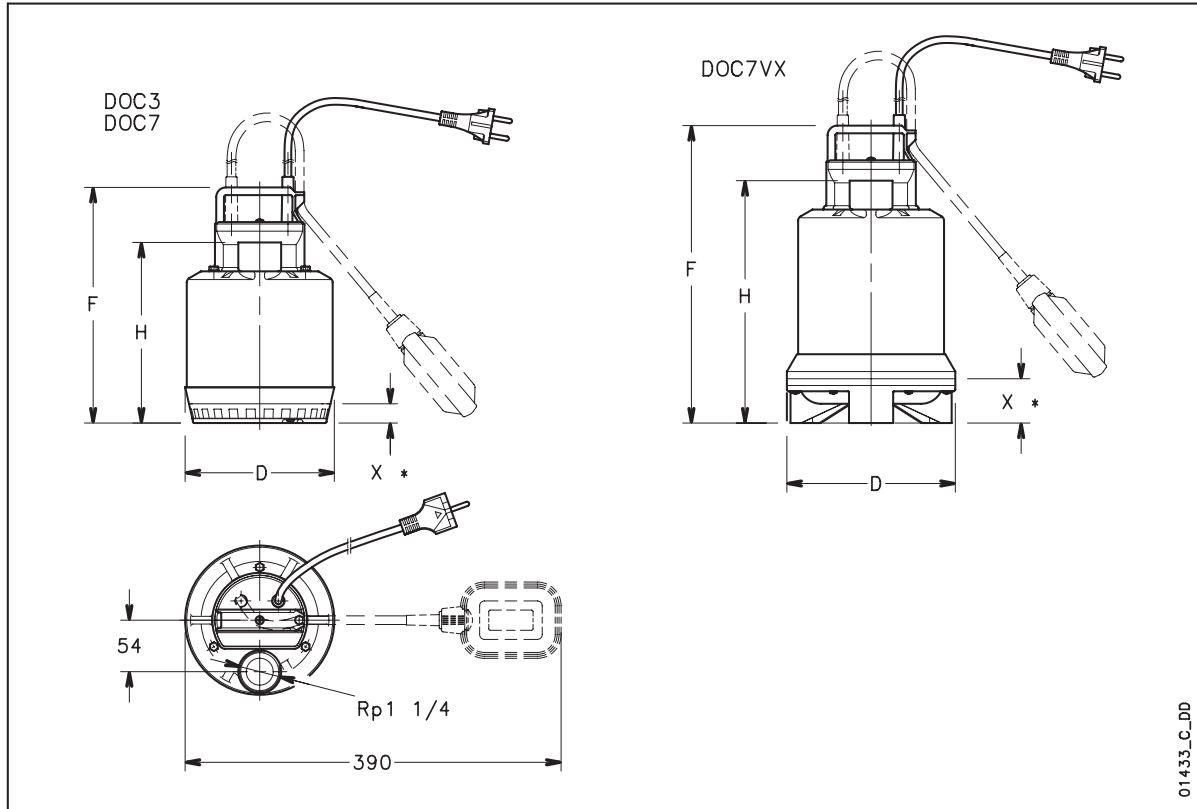


For a complete list of technical information, consult www.lowara.com

Engineered for life



DOC SERIES - DIMENSIONS AND WEIGHTS

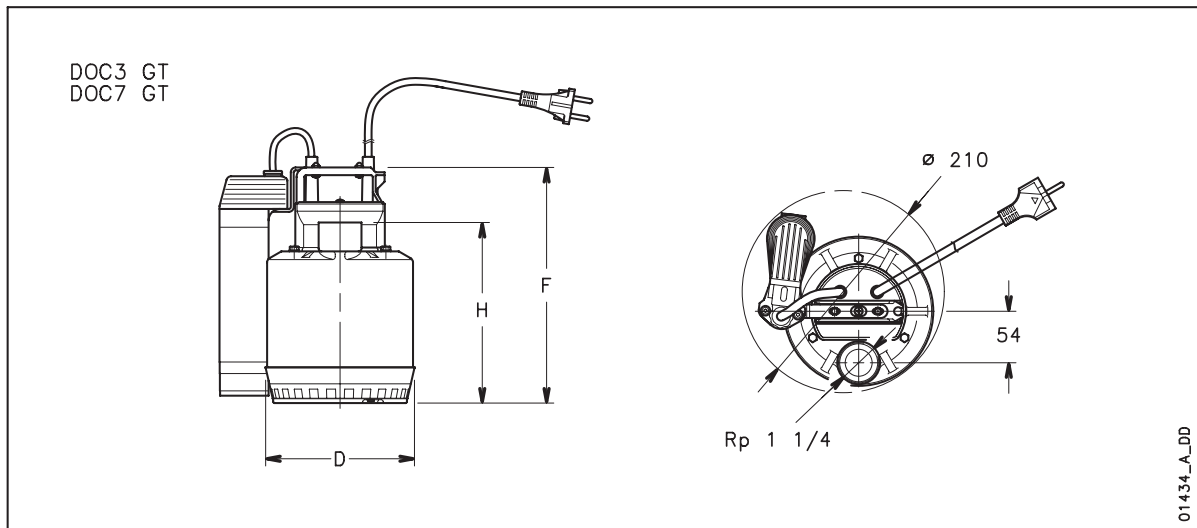


01433_C_DD

PUMP TYPE		DIMENSIONS (mm)				WEIGHT
		F	H	D	X*	kg
DOC3	DOC3 GT	245	188	155	20	4
DOC7(T)	DOC7(T) GT	285	228	155	20	6
DOC7VX(T)	-	310	252	175	45	6

* Minimum drain level.

doc-2p50_b_td



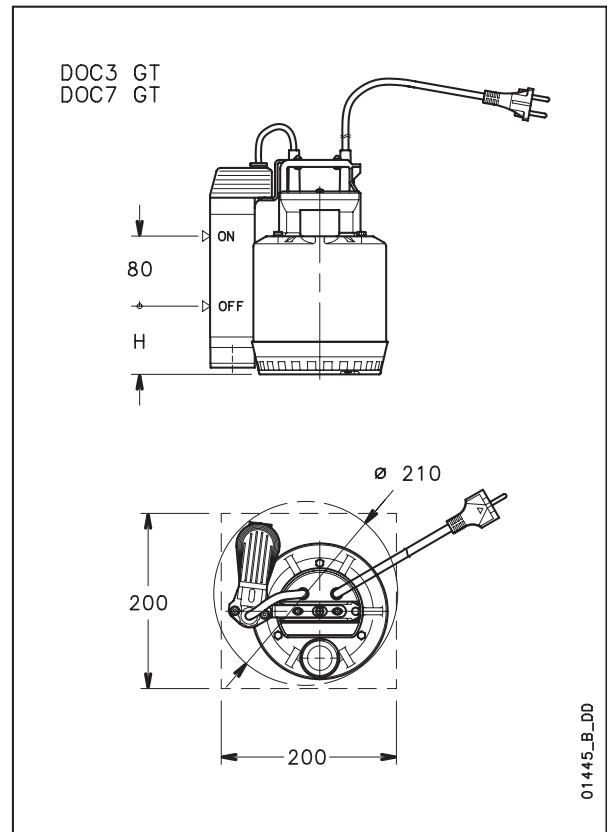
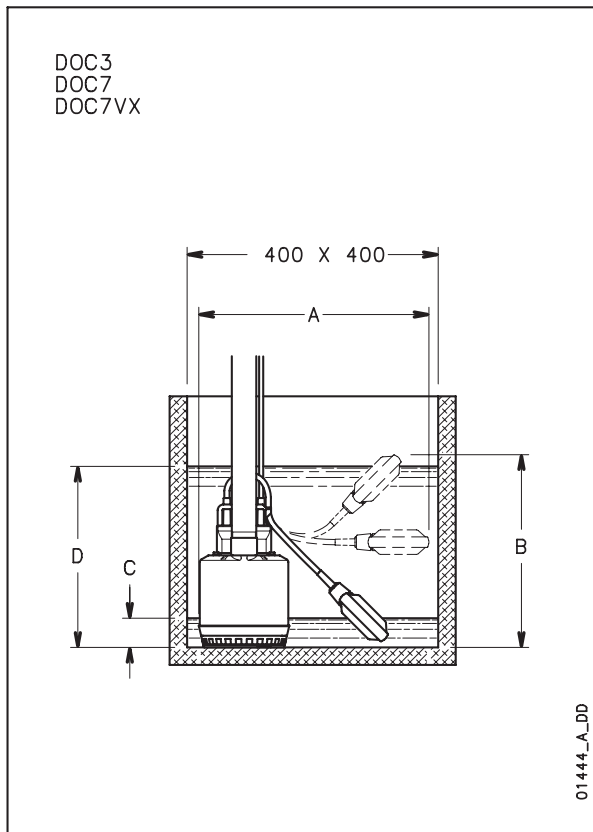
01434_A_DD

Engineered for life



General Catalogue

DOC SERIES – INSTALLATION EXAMPLES

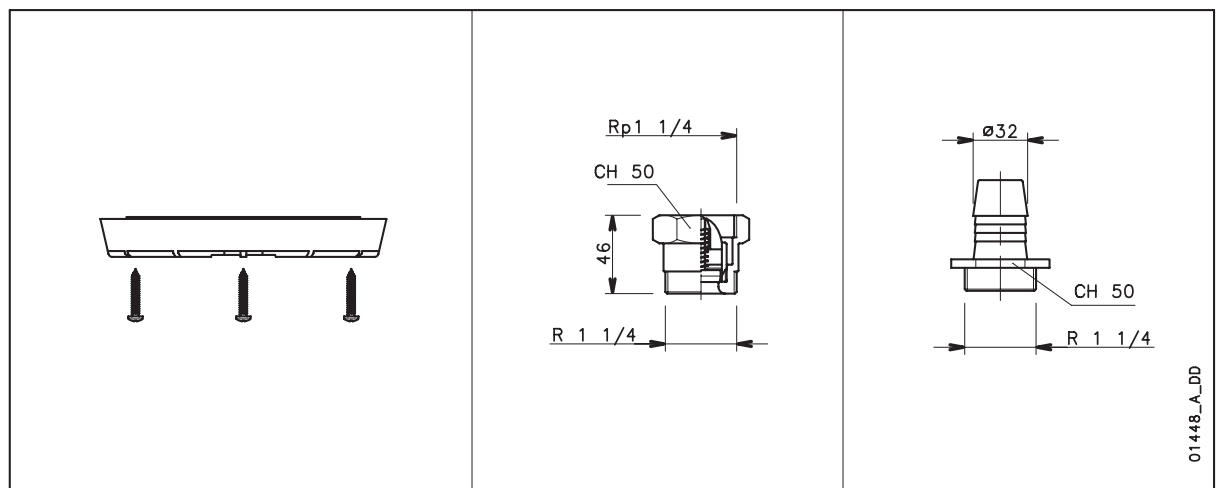


3

PUMP TYPE		DIMENSIONS (mm)		MINIMUM WATER LEVEL	MAXIMUM WATER LEVEL	MINIMUM WATER LEVEL
		A	B	C	D	H
DOC3	DOC3 GT	390	330	50	310	90
DOC7	DOC7 GT	390	370	90	350	90
DOC7VX	-	390	395	115	375	-

docliv-2p50_c_td

ACCESSORIES



Engineered for life