

LM/LP SINGLE-STAGE IN-LINE PUMPS

FOR CIRCULATION, TRANSFER & BOOSTER APPLICATIONS



IMPS TION ECTIVENESS

etary standard
d which are
ing, are
verloading and
the pump unit
pump.

pings are
on pump

igned to
ds without

combine the
al pump,
ensions of

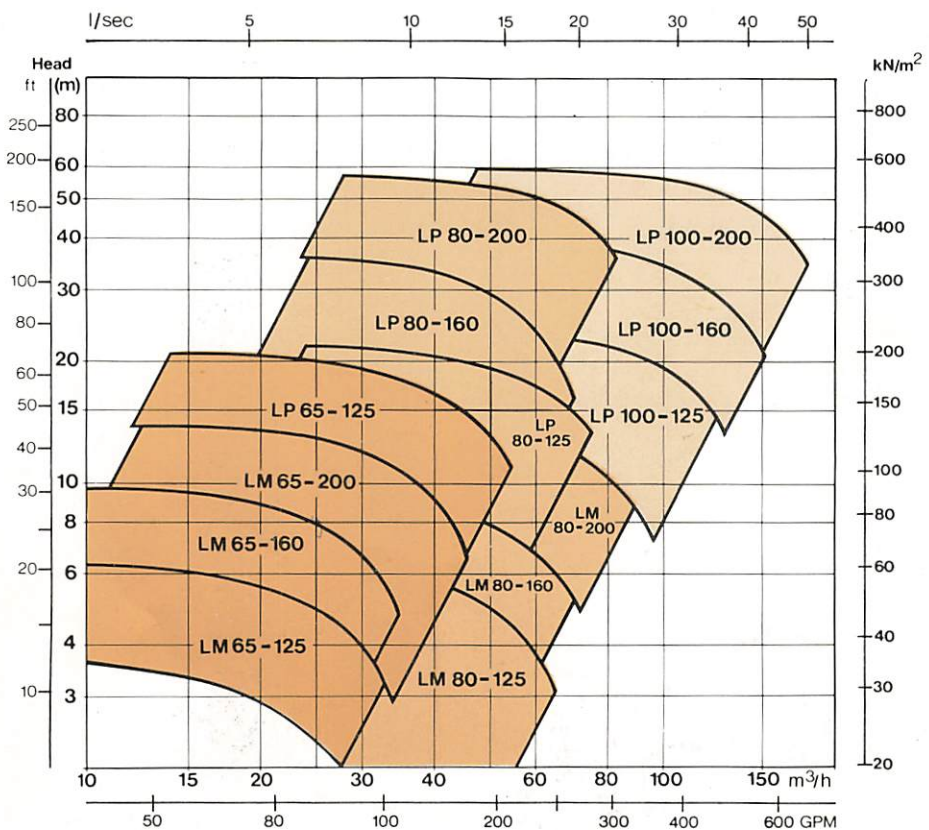
nter flanges are
al extra and
:1969 table

0-431 529
449-304515
Type 2A
1452-Grade 14
52-Grade 14

e/Tungsten Carbide
arbon/Ceramic.



- * **Flows up to 150m³h (540gpm)**
- * **Heads up to 60metres (180ft)**
- * **Temperatures -20°C to +120°C**
- * **Maximum operating pressure 10 bars**
- * **Pump housing flanged in accordance with BS 4504:1969 Table 16/11**
- * **Fabricated stainless steel pump unit for smooth quiet running**



GRUNDFOS LM/LP IN-LINE PUMPS FOR SMOOTH, QUIET OPERATION, RELIABILITY AND COST EFFICIENCY

The LM/LP range of single stage in-line pumps has been developed to meet ISO 2858 (BS 5257:1975) standards of hydraulic performance. The first phase covers duties from 15-150m³h (55-550gpm) at heads up to 55m (180ft).

The pumps are designed for circulation, transfer and booster applications for water, water/glycol and similar thin non-aggressive liquids ranging in temperature from -20°C to 120°C.

Stainless Steel is employed for impeller and pump shaft, and on most models a Grundfos mechanical shaft seal with tungsten carbide seal faces is used. Standardised shaft seal housing dimensions enable proprietary seals conforming to DIN 24960 to be fitted where specified.

GRUNDFOS ADVANTAGES:

* The design of the fabricated stainless steel impellers gives high efficiency, low NPSH values, and their resistance to corrosion means constant performance levels and reliability over many years service. The inherent balance and low rotating mass of the impeller combine to provide quiet vibration-free operation.

* Generous port dimensions provide low water velocity and consequent low operating noise levels.

* All pumps are supplied fitted with a base plate for ease of installation.

* In-line configuration enables easy installation. Pump head can be removed for access to shaft seal or impeller without removal of pump housing.

* Grundfos or proprietary metric motors are used for smooth and quiet running. Motors are matched to prevent cavitation and can be removed from the pump without disturbing the impeller.

* Pressure gauge tapping is provided as standard on all flanges.

* The pumps are designed to operate for long periods without routine maintenance.

* The LM/LP range of pumps features features of a centrifugal pump within the compact dimensions of a circulating pump.

* Screwed boss couplings are available as an option. All pumps comply with BS 4504 Part 16/4.

STANDARD MATERIALS OF CONSTRUCTION

Shaft: Stainless Steel BS 970

Impeller: Stainless Steel BS 970

Coupling: SG Iron BS 2789-1

Pump Housing: Cast Iron BS 1472

Motor Stool: Cast Iron BS 1472

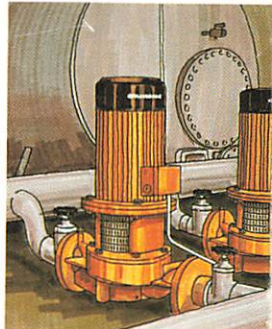
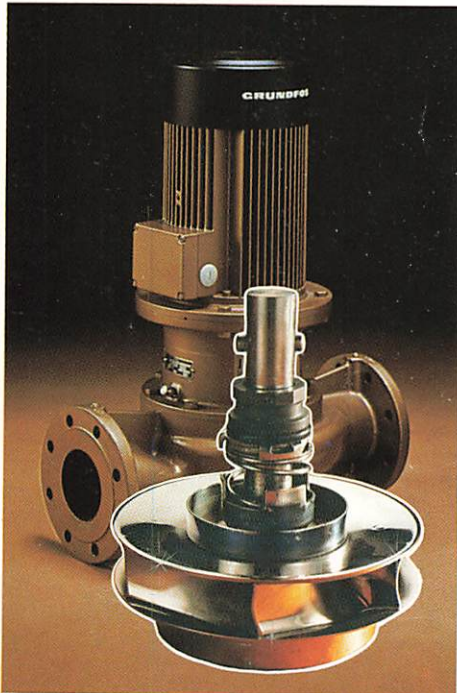
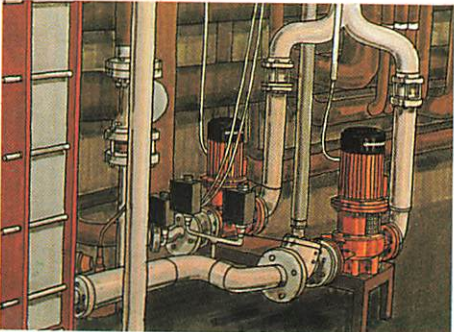
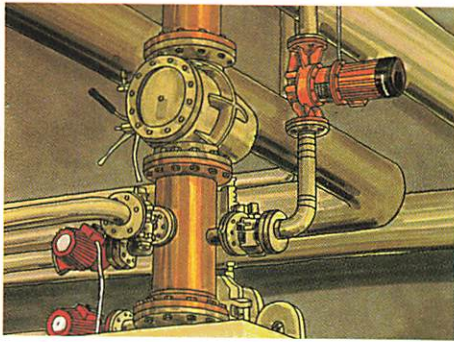
Body O Ring: EPDM Rubber

Air Vent Screw: Brass

Shaft Seal: Tungsten Carbide except LP 100-200 which is C



®
GRUNDFOS



Technical Data

LM/LP

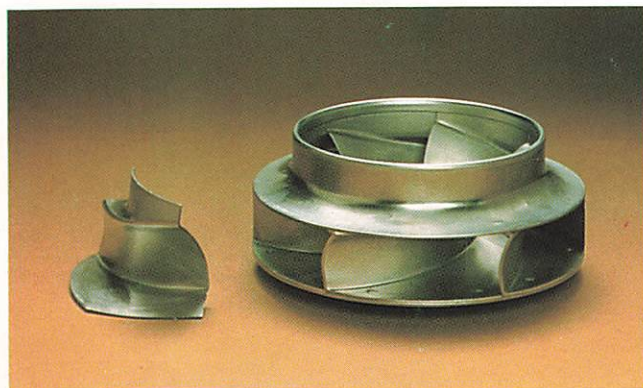
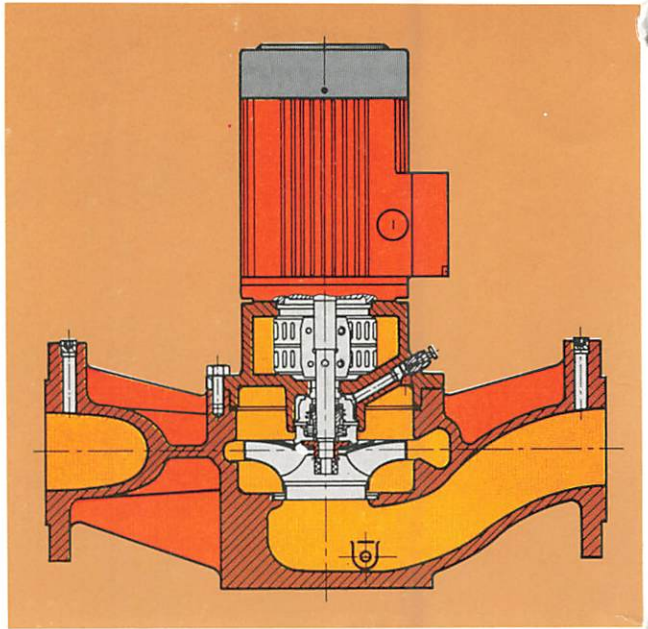
Pump Housing The pumps are designed as single-stage centrifugal pumps direct coupled with GRUNDFOS or proprietary standard metric motors.

The circulation of liquid in the duct of the air vent screw ensures lubrication and cooling of the shaft seal. The dimensions of the shaft seal have been laid down so that standard seals to DIN 24960 can be used.

The pump housing has been constructed on the in-line principle, and the dimensions of the suction and discharge ports are identical. Flange sizes according to BS 4504 Table 16/11. Both flanges have pressure gauge tapping (1/4" BSP Thread).

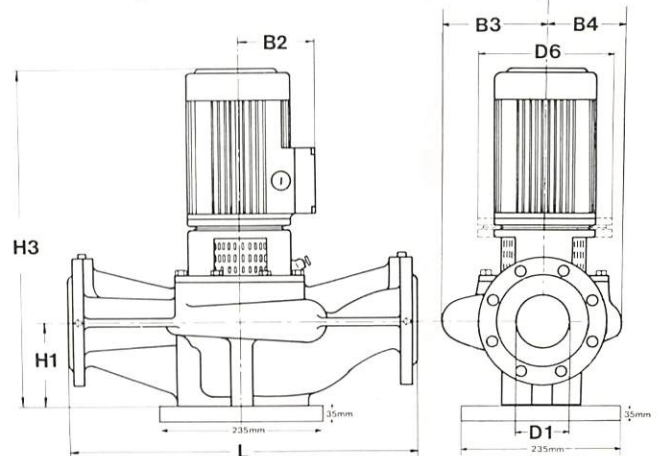
All pumps are supplied fitted with a base plate, for ease of installation.

In the first phase, the LM/LP pumps are manufactured with cast iron pump housing and motor stool.



Impeller The stainless steel impeller has double-curved blades with smooth surfaces. The use of stainless steel plate ensures a hydraulically correct shape of the impeller and consequently high efficiency and good suction characteristics are obtained.

Principal Dimensions (mm)



Pump Unit The pump unit consists of an impeller, a shaft, and a mechanical shaft seal. The impeller is splined to the stainless steel shaft.

The mechanical shaft seal is made of stainless steel and has seal faces of tungsten carbide/tungsten carbide or carbon/tungsten carbide.

Ask for data sheets on the required pump types with detailed specifications and technical information.

Model	B2 mm	B3 mm	B4 mm	D1 mm	D6 mm	H1 mm	H3 mm	L mm	Net Weight kgs	Gross Weight kgs
LM 65-125	104	130	110	65	117	472	475	40	58	
LM 65-160	125	156	150	65	107	503	475	53	78	
LM 65-200	125	156	150	65	107	557	475	59	84	
LP 65-125	125	130	110	65	117	567	475	53	71	
LM 80-125	125	158	123	80	132	528	525	50	68	
LM 80-160	125	180	150	80	110	546	525	68	93	
LM 80-200	148	180	150	80	110	699	525	82	112	
LP 80-125	125	158	123	80	132	652	525	60	85	
LP 80-160	148	156	150	80	300	127	704	525	91	121
LP 80-200	242	156	150	80	350	127	841	525	140	180
LP 100-125	148	170	140	100	300	110	720	550	101	131
LP 100-160	242	180	150	100	350	110	862	550	146	186
LP 100-200	261	180	150	100	400	110	1090	550	286	312

Above table represents the maximums for each pump type.

GRUNDFOS



Grundfos Pumps Ltd. Head Office: Grovebury Road, Leighton Buzzard, Beds. LU7 8TL. Tel (0525) 374876. Telex 825544.
Northern Area Sales Office: Gawsworth Court, Risley Road, Risley, Warrington, Cheshire. Tel: Padgate (0925) 813300. Telex 628162.

It is the continuing policy of Grundfos to develop and improve our products, and we reserve the right to amend prices and specification without prior notice.

LM/LP383



GRUNDFOS®

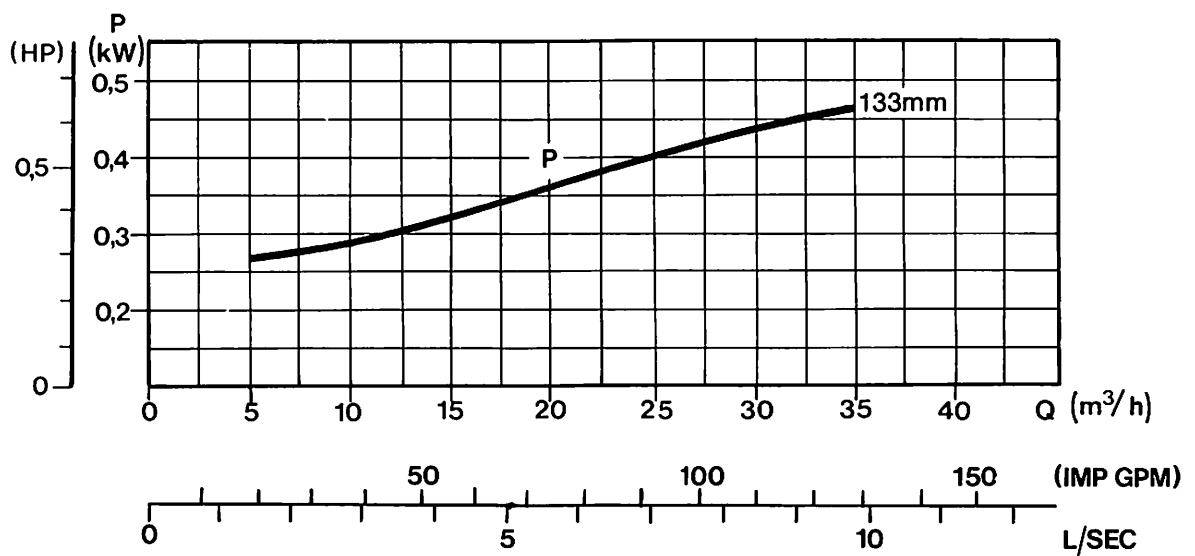
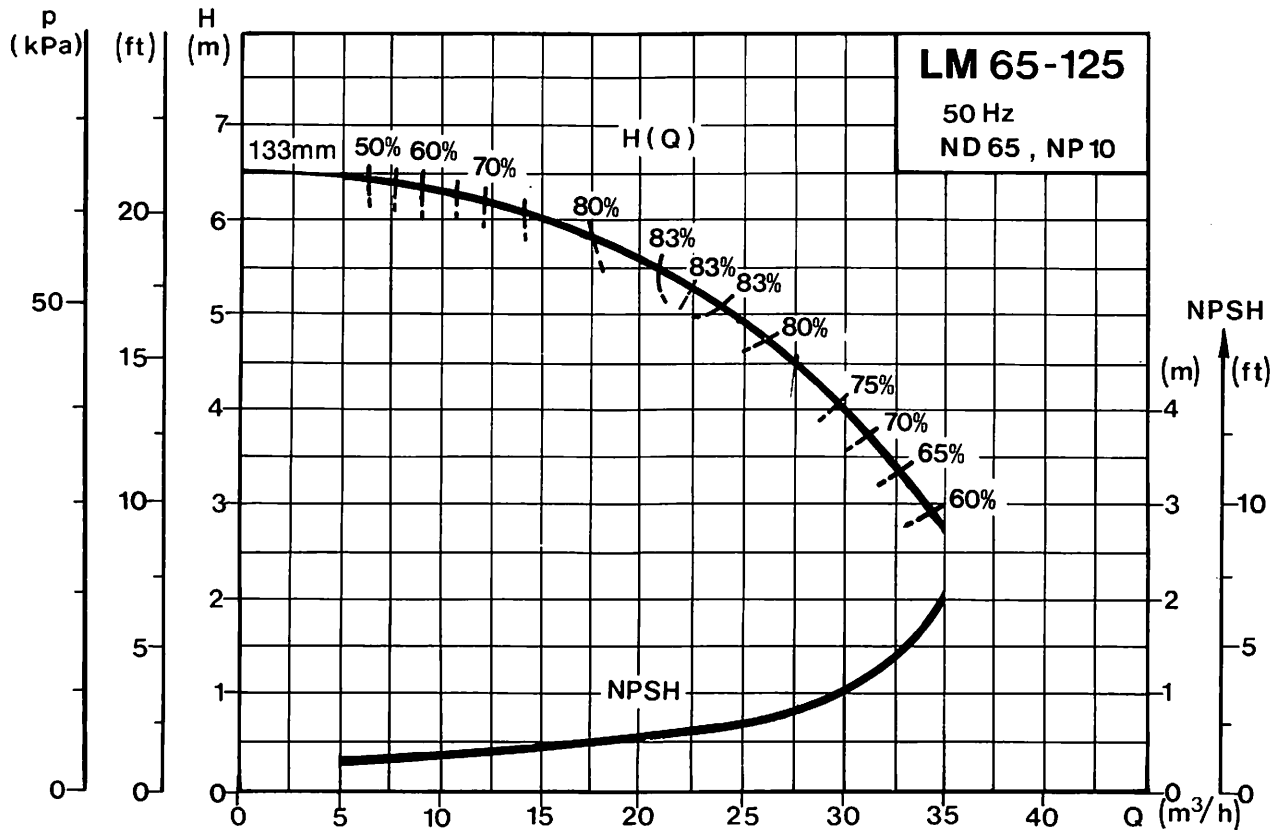
LM 65-125



SINGLE-STAGE IN-LINE PUMPS

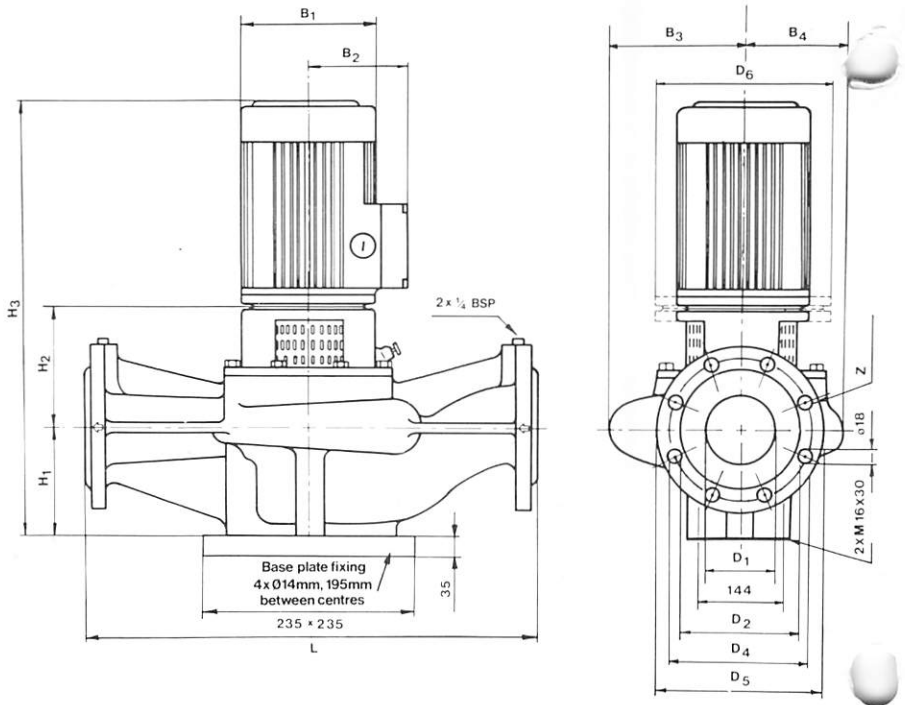
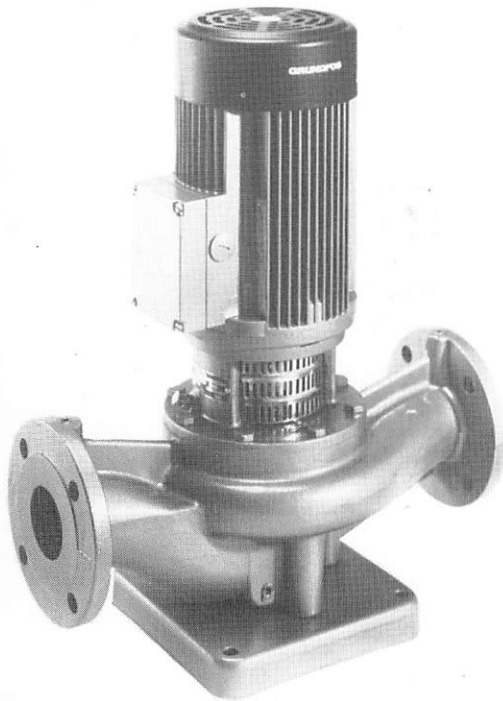
50 Hz

TECHNICAL DATA



- Max. operating pressure: 10 bars (1.0 MPa).
- Liquid temperature: -20° C to 120° C.
- The performance range of the LM/LP pumps covers 10-150 m³/h (37-550 IMP GPM).
- The pump may be installed with the pump shaft vertical or horizontal, but never with the motor pointing downwards.

LM 65-125



Dimensions and weights

Model	B1 mm	B2 mm	B3 mm	B4 mm	D1 mm	D2 mm	No. Z	D4 mm	D5 mm	D6 mm	H1 mm	H2 mm	H3 mm	L mm	Net weight kgs	Gross weight kgs	Shipp. volume m ³
LM 65-125/133	142	104	130	110	65	122	4	145	185	—	117	125	472	475	40	58	0.15

Construction

The Grundfos LM/LP single-stage pumps are fitted with standard metric motors. The cast iron pump housing has in-line suction and discharge ports of identical dimensions, which are flanged in accordance with BS 4504: 1969, Table 16/11, both flanges having pressure gauge tapings of 1/4" B.S.P. Screwed boss counter flanges to Table 16/4 are available, as an optional extra.

The pump incorporates a mechanical shaft seal with seal faces of tungsten carbide and EPDM rubber O rings. The dimensions of the seal housing comply with the DIN 24960 standard, enabling different seals to be fitted, if necessary.

Both shaft seal and air vent screw are fitted in the cast iron pump head. Circulation of liquid in the duct of the air vent screw ensures lubrication and cooling of the seal faces.

The fabricated stainless steel impeller, which is splined to the stainless steel pump shaft, is both strong, light and has double curved blades for high efficiency and good suction characteristics.

The low mass of the impeller gives smooth, quiet operation and the corrosion resistant properties of stainless steel ensure that the original performance is maintained.

A base plate for easy mounting is fitted as standard to each pump.

Motor Data 3 x 415V & 3 x 380V, 50 Hz

Model	Motor size kW	Full load current (A)		Locked rotor current ratio	Speed R.P.M.
		3x415V	3x380V		
LM 65-125/133	0.55	1.7	1.9	3.3	1385

Material Specification:

Pump Base:	Cast Iron	BS 1452 Grade 14
Pump Head:	Cast Iron	BS 1452 Grade 14
Coupling:	SG Iron	BS 2789 Type 2A
Pump Shaft:	Stainless Steel	BS 970 431 S29
Impeller:	Stainless Steel	BS 1449 304 S15
Impeller Nut:	Stainless Steel	BS 1449 304 S15
Neck Ring:	Stainless Steel	BS 1449 304 S15
Shaft Seal:	Tungsten Carbide with EPDM Rubber 'O' Rings	
Body Gasket:	EPDM Rubber	
Air Vent Screw:	Brass	

TYPE DESIGNATION

LM 65-125



Subject to alterations

GRUNDFOS®



Grundfos Pumps Ltd. Head Office: Grovebury Road, Leighton Buzzard, Beds. LU7 8TL. Tel (0525) 374876. Telex 825544.
Northern Area Sales Office: Gawsworth Court, Risley Road, Risley, Warrington, Cheshire. Tel: Padgate (0925) 813300. Telex 628162.



GRUNDFOS™

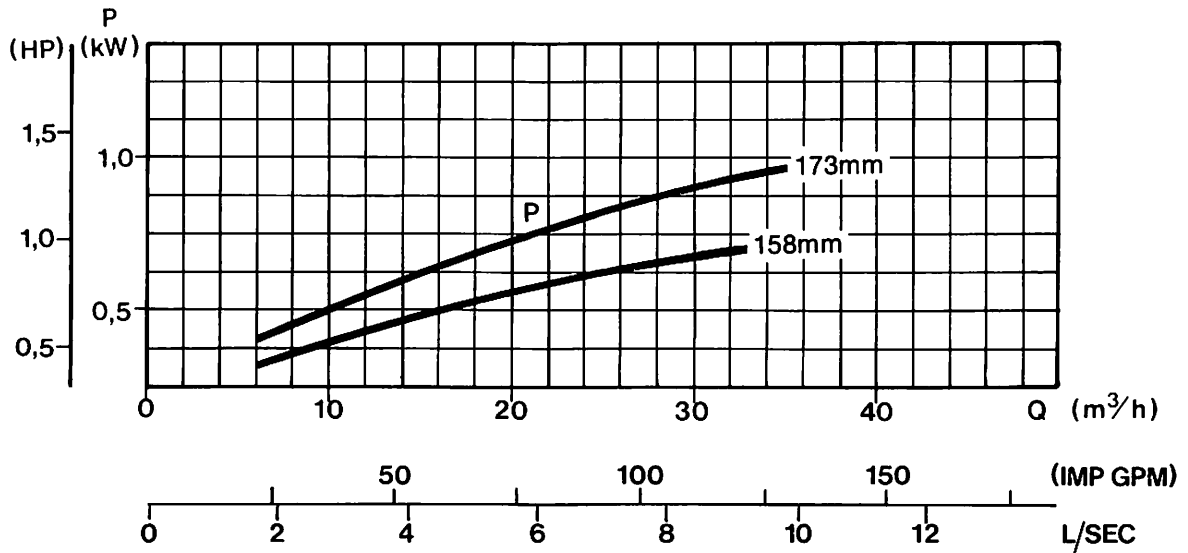
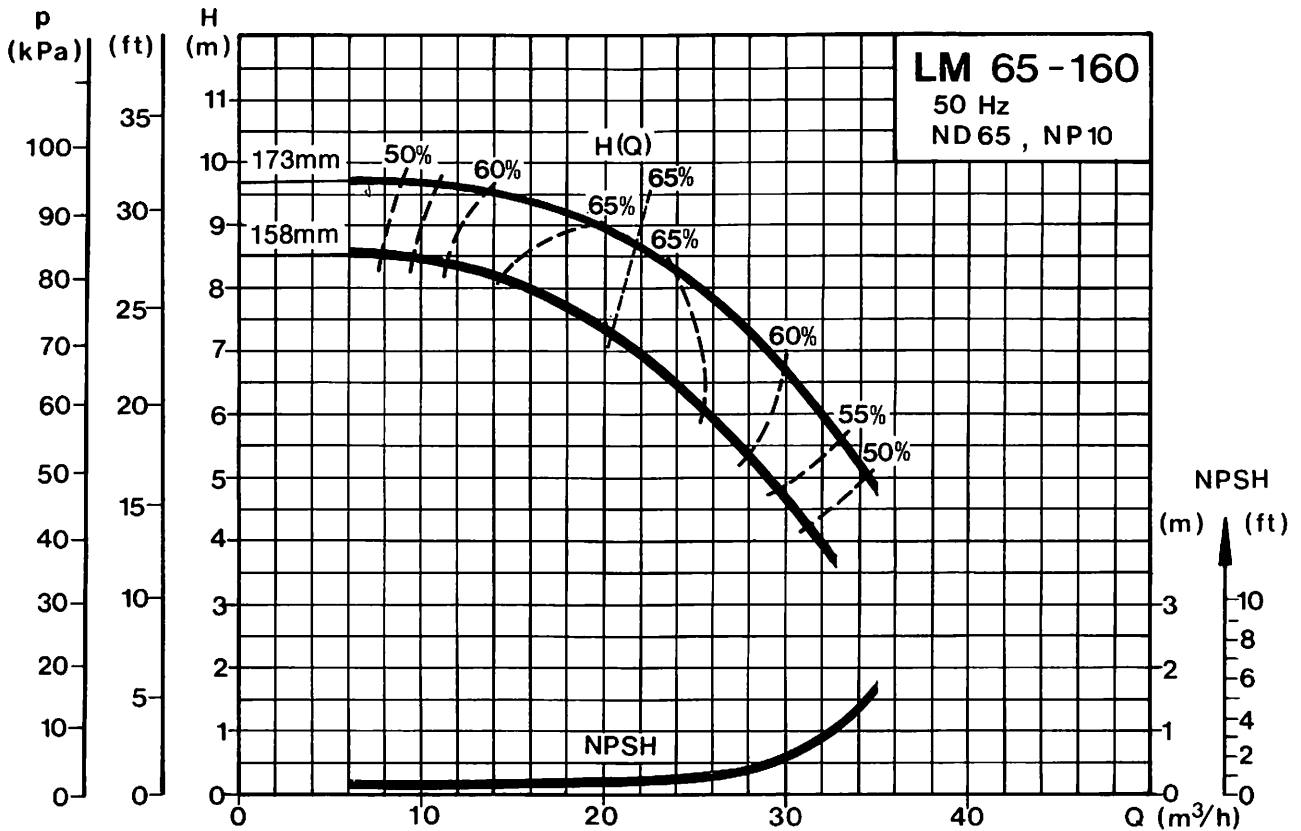
LM 65-160

GB

SINGLE-STAGE IN-LINE PUMPS

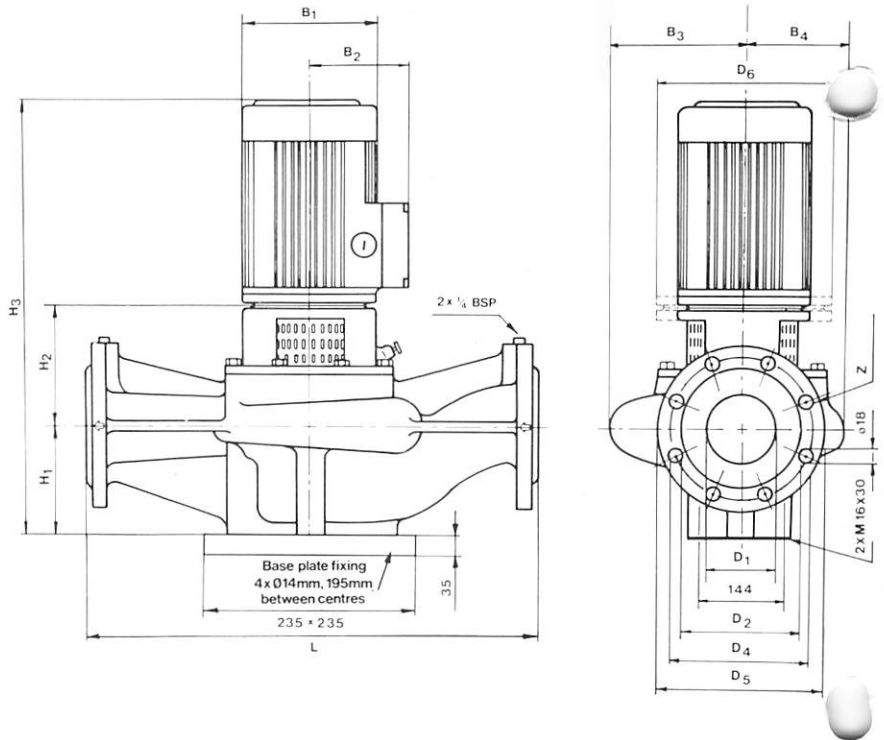
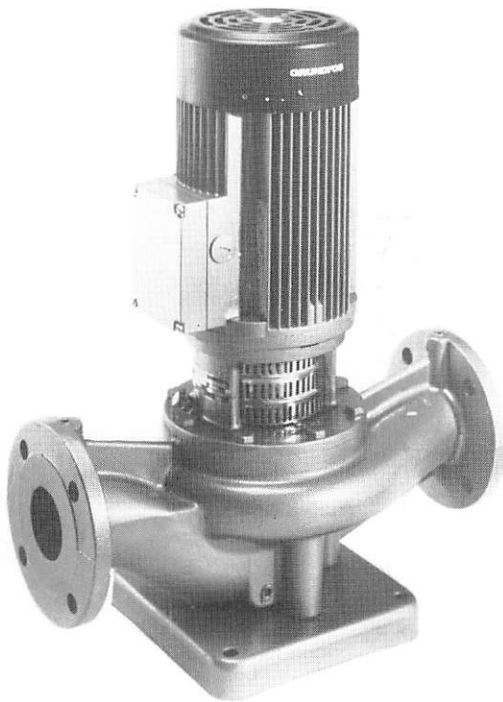
50 Hz

TECHNICAL DATA



- Max. operating pressure: 10 bars (1.0 MPa).
- Liquid temperature: - 20° C to 120° C.
- The performance range of the LM/LP pumps covers 10-150 m³/h (37-550 IMP GPM).
- The pump may be installed with the pump shaft vertical or horizontal, but never with the motor pointing downwards.

LM 65-160



Dimensions and weights

Model	B1 mm	B2 mm	B3 mm	B4 mm	D1 mm	D2 mm	No. Z	D4 mm	D5 mm	D6 mm	H1 mm	H2 mm	H3 mm	L mm	Net weight kgs	Gross weight kgs	Shipp. volume m ³
LM 65-160/173	178	125	156	150	65	122	4	145	185	—	107	135	503	475	53	78	0.20
LM 65-160/158	142	104	156	150	65	122	4	145	185	—	107	127	364	475	47	70	0.14

Construction

The Grundfos LM/LP single-stage pumps are fitted with standard metric motors. The cast iron pump housing has in-line suction and discharge ports of identical dimensions, which are flanged in accordance with BS 4504: 1969, Table 16/11, both flanges having pressure gauge tappings of 1/4" B.S.P. Screwed boss counter flanges to Table 16/4 are available, as an optional extra.

The pump incorporates a mechanical shaft seal with seal faces of tungsten carbide and EPDM rubber O rings. The dimensions of the seal housing comply with the DIN 24960 standard, enabling different seals to be fitted, if necessary.

Both shaft seal and air vent screw are fitted in the cast iron pump head. Circulation of liquid in the duct of the air vent screw ensures lubrication and cooling of the seal faces.

The fabricated stainless steel impeller, which is splined to the stainless steel pump shaft, is both strong, light and has double curved blades for high efficiency and good suction characteristics.

The low mass of the impeller gives smooth, quiet operation and the corrosion resistant properties of stainless steel ensure that the original performance is maintained.

A base plate for easy mounting is fitted as standard to each pump.

Motor Data 3 x 415V & 3 x 380V, 50 Hz

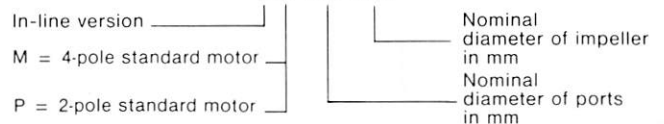
Model	Motor size kW	Full load current (A)		Locked rotor current ratio	Speed R.P.M.
		3x415V	3x380V		
LM 65-160/173	1.1	2.9	3.2	4.1	1405
LM 65-160/158	0.75	2.2	2.4	3.5	1390

Material Specification:

Pump Base:	Cast Iron	BS 1452 Grade 14
Pump Head:	Cast Iron	BS 1452 Grade 14
Coupling:	SG Iron	BS 2789 Type 2A
Pump Shaft:	Stainless Steel	BS 970 431 S29
Impeller:	Stainless Steel	BS 1449 304 S15
Impeller Nut:	Stainless Steel	BS 1449 304 S15
Neck Ring:	Stainless Steel	BS 1449 304 S15
Shaft Seal:	Tungsten Carbide	with EPDM Rubber 'O' Rings
Body Gasket:	EPDM Rubber	
Air Vent Screw:	Brass	

TYPE DESIGNATION

LM 65-160



Subject to alterations

GRUNDFOS®

Grundfos Pumps Ltd. Head Office: Grovebury Road, Leighton Buzzard, Beds. LU7 8TL. Tel (0525) 374876. Telex 825544.
Northern Area Sales Office: Gawsforth Court, Risley Road, Risley, Warrington, Cheshire. Tel: Padgate (0925) 813300. Telex 628162.





GRUNDFOS®

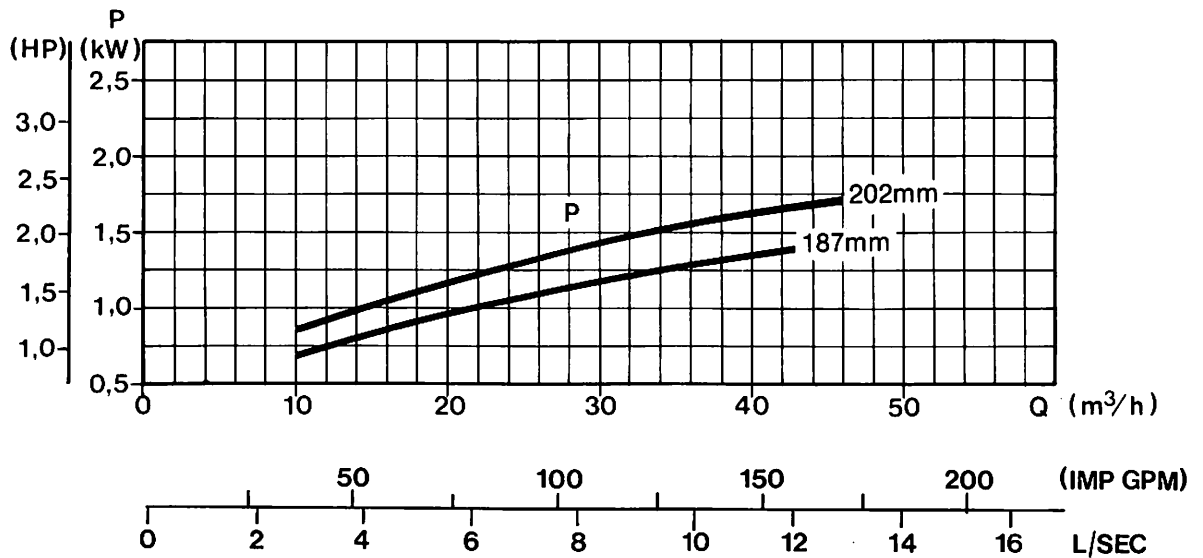
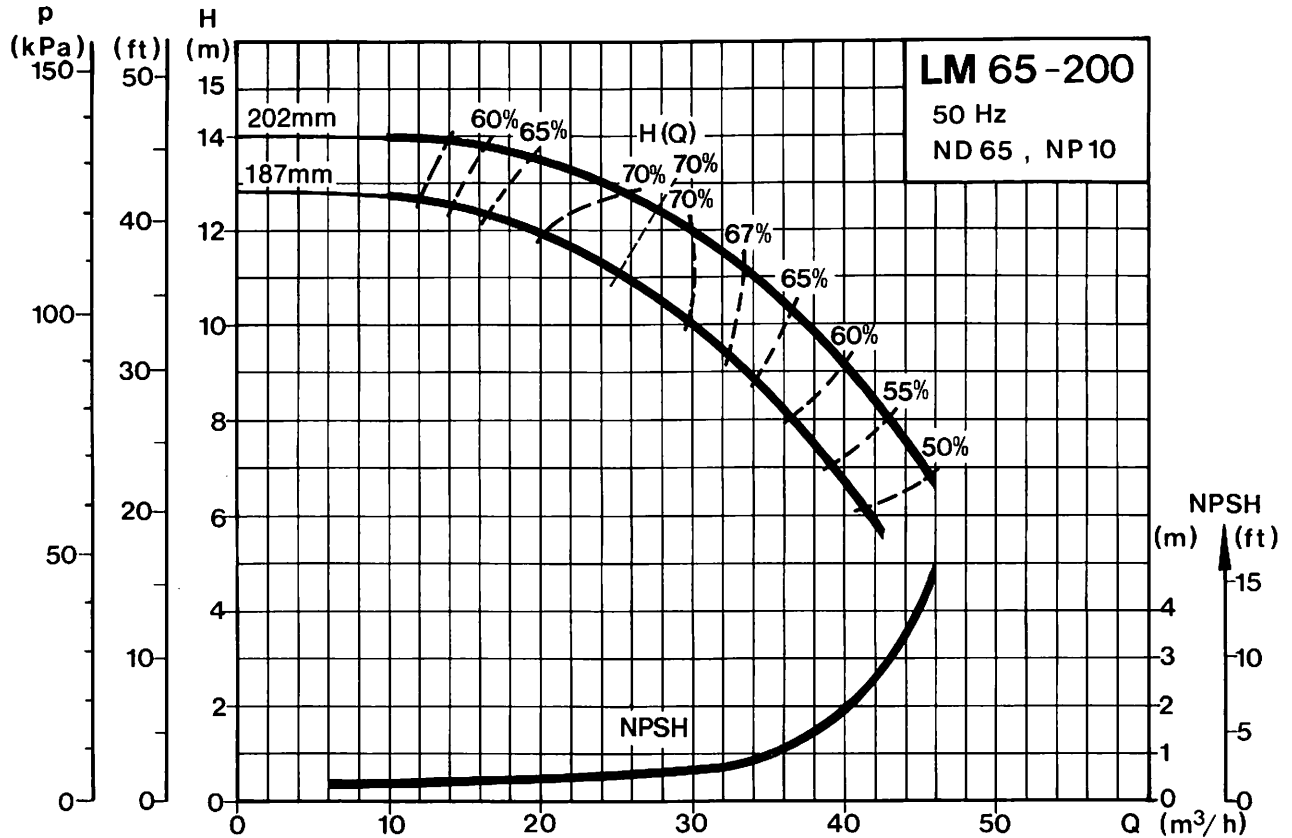
LM 65-200

GB

SINGLE-STAGE IN-LINE PUMPS

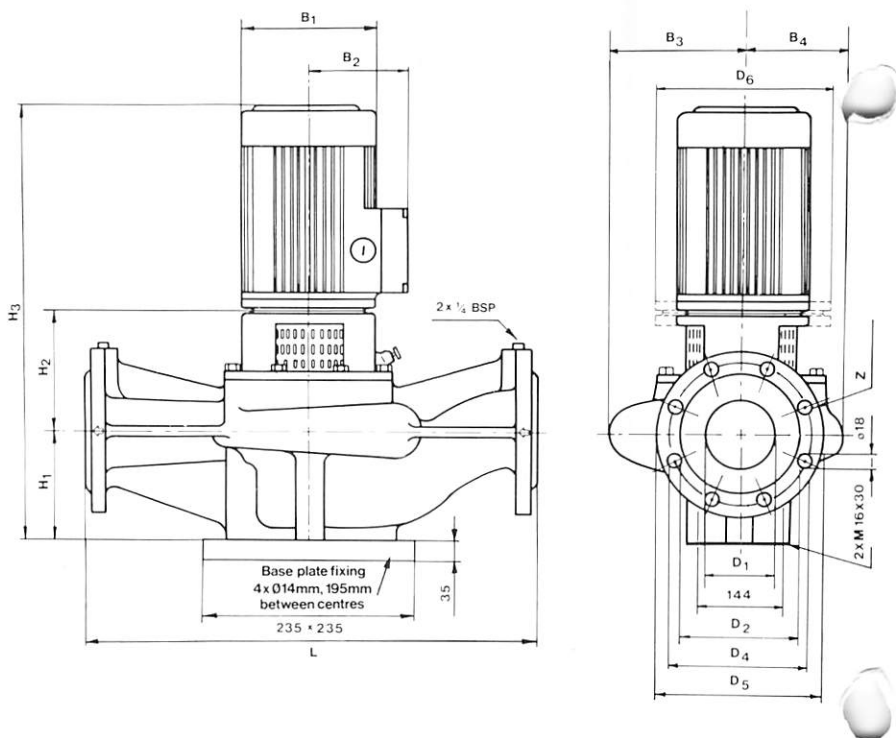
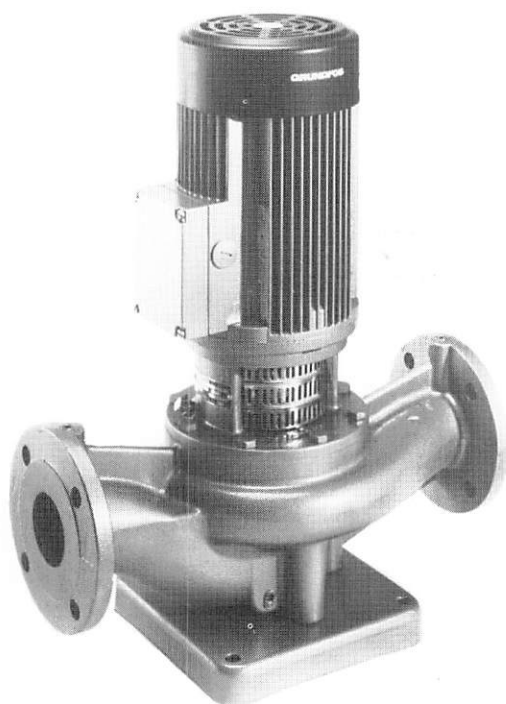
50 Hz

TECHNICAL DATA



- Max. operating pressure: 10 bars (1.0 MPa).
- Liquid temperature: - 20° C to 120° C.
- The performance range of the LM/LP pumps covers 10-150 m³/h (37-550 IMP GPM).
- The pump may be installed with the pump shaft vertical or horizontal, but never with the motor pointing downwards.

LM 65-200



Dimensions and weights

Model	B1 mm	B2 mm	B3 mm	B4 mm	D1 mm	D2 mm	No. Z	D4 mm	D5 mm	D6 mm	H1 mm	H2 mm	H3 mm	L mm	Net weight kgs	Gross weight kgs	Shipp. volume m ³
LM 65-200/202	178	125	156	150	65	122	4	145	185	—	107	157	559	475	59	84	0.20
LM 65-200/187	178	125	156	150	65	122	4	145	185	—	107	137	505	475	55	77	0.14

Construction

The Grundfos LM/LP single-stage pumps are fitted with standard metric motors. The cast iron pump housing has in-line suction and discharge ports of identical dimensions, which are flanged in accordance with BS 4504: 1969, Table 16/11, both flanges having pressure gauge tappings of 1/4" B.S.P. Screwed boss counter flanges to Table 16/4 are available, as an optional extra.

The pump incorporates a mechanical shaft seal with seal faces of tungsten carbide and EPDM rubber O rings. The dimensions of the seal housing comply with the DIN 24960 standard, enabling different seals to be fitted, if necessary.

Both shaft seal and air vent screw are fitted in the cast iron pump head. Circulation of liquid in the duct of the air vent screw ensures lubrication and cooling of the seal faces.

The fabricated stainless steel impeller, which is splined to the stainless steel pump shaft, is both strong, light and has double curved blades for high efficiency and good suction characteristics.

The low mass of the impeller gives smooth, quiet operation and the corrosion resistant properties of stainless steel ensure that the original performance is maintained.

A base plate for easy mounting is fitted as standard to each pump.

Motor Data 3 x 415V & 3 x 380V, 50 Hz

Model	Motor size kW	Full load current (A)		Locked rotor current ratio	Speed R.P.M.
		3x415V	3x380V		
LM 65-200/202	2.2	5.3	5.7	4.3	1405
LM 65-200/187	1.5	3.6	4.0	4.2	1400

Material Specification:

Pump Base:	Cast Iron	BS 1452 Grade 14
Pump Head:	Cast Iron	BS 1452 Grade 14
Coupling:	SG Iron	BS 2789 Type 2A
Pump Shaft:	Stainless Steel	BS 970 431 S29
Impeller:	Stainless Steel	BS 1449 304 S15
Impeller Nut:	Stainless Steel	BS 1449 304 S15
Neck Ring:	Stainless Steel	BS 1449 304 S15
Shaft Seal:	Tungsten Carbide with EPDM Rubber 'O' Rings	
Body Gasket:	EPDM Rubber	
Air Vent Screw:	Brass	

TYPE DESIGNATION

LM 65-200

In-line version	} Nominal diameter of impeller in mm
M = 4-pole standard motor	
P = 2-pole standard motor	
	} Nominal diameter of ports in mm

Subject to alterations

GRUNDFOS

Grundfos Pumps Ltd. Head Office: Grovebury Road, Leighton Buzzard, Beds. LU7 8TL. Tel: (0525) 374876. Telex 825544.
Northern Area Sales Office: Gawsorth Court, Risley Road, Risley, Warrington, Cheshire. Tel: Padgate (0925) 813300. Telex 628162.



GRUNDFOS®

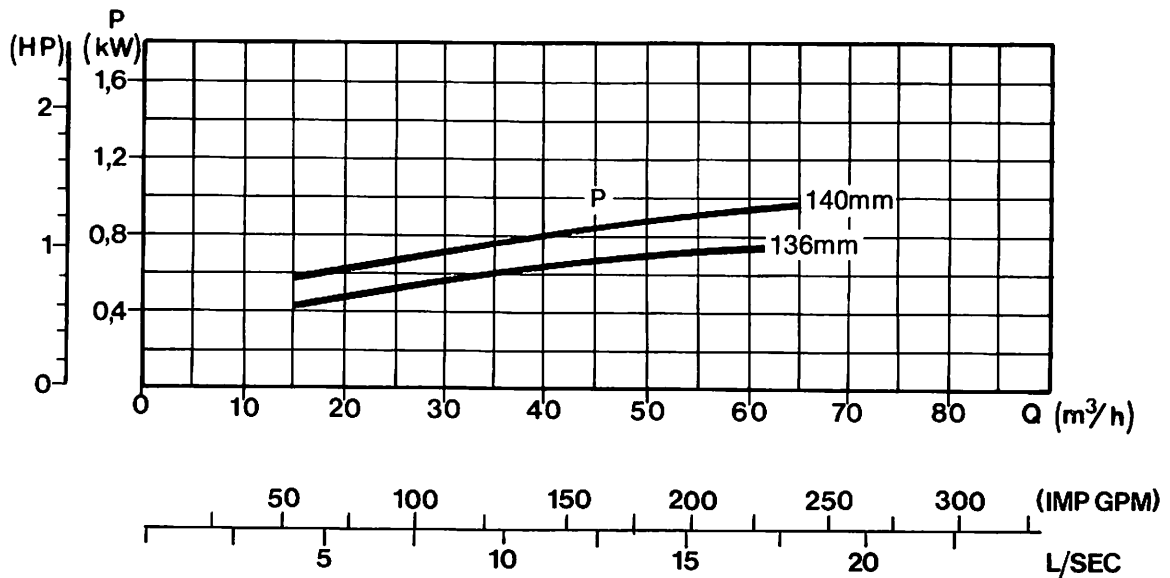
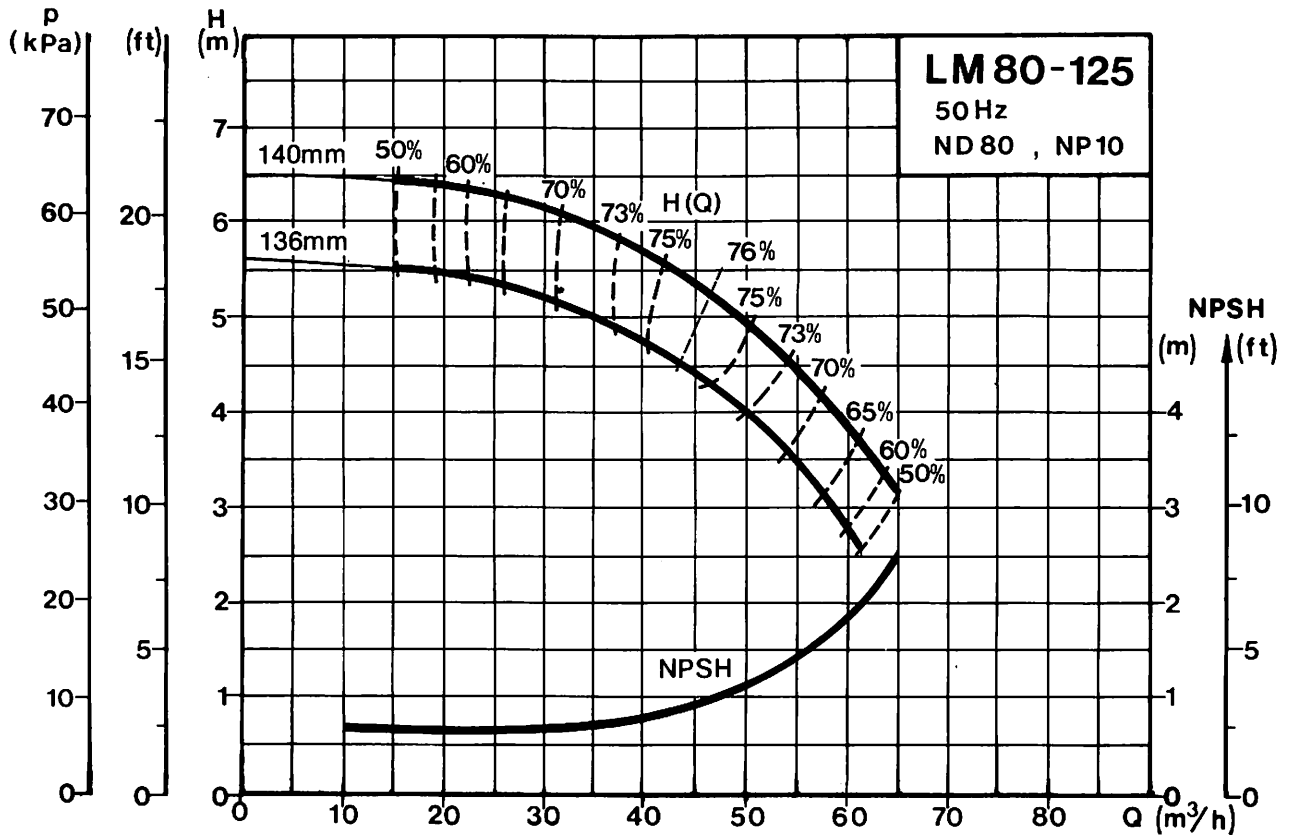
LM 80-125



SINGLE-STAGE IN-LINE PUMPS

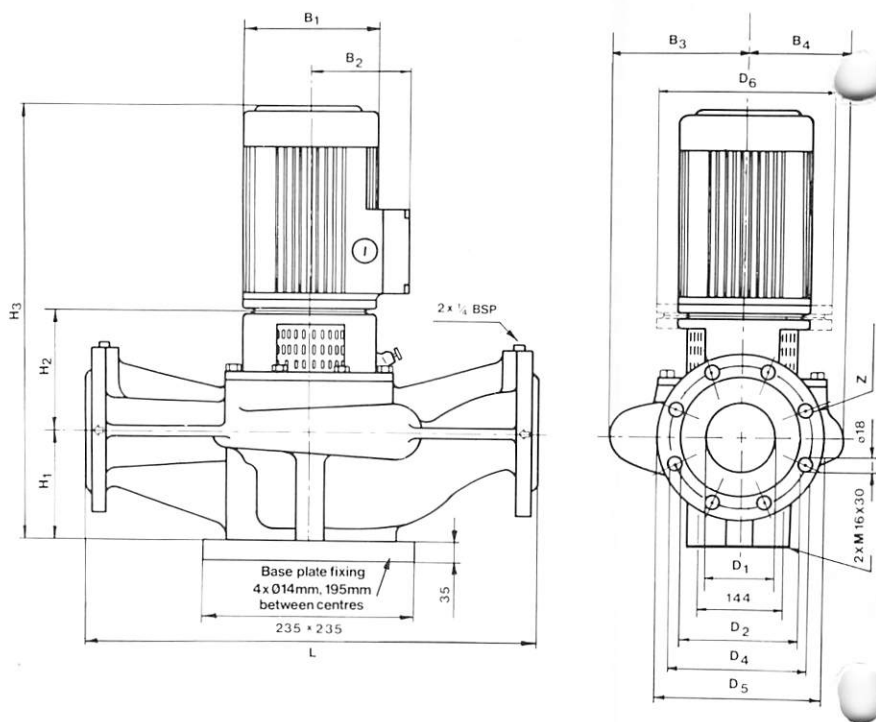
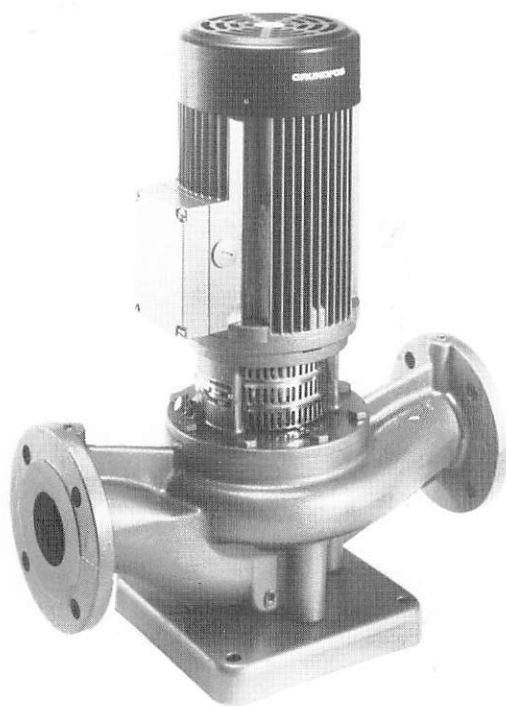
50 Hz

TECHNICAL DATA



- Max. operating pressure: 10 bars (1.0 MPa).
- Liquid temperature: - 20° C to 120° C.
- The performance range of the LM/LP pumps covers 10-150 m³/h (37-550 IMP GPM).
- The pump may be installed with the pump shaft vertical or horizontal, but never with the motor pointing downwards.

LM 80-125



Dimensions and weights

Model	B1 mm	B2 mm	B3 mm	B4 mm	D1 mm	D2 mm	No. Z	D4 mm	D5 mm	D6 mm	H1 mm	H2 mm	H3 mm	L mm	Net weight kgs	Gross weight kgs	Shipp. volume m ³
LM 80-125/140	178	125	158	123	80	140	8	160	200	—	132	135	528	525	50	68	0.15
LM 80-125/136	142	104	158	123	80	140	8	160	200	—	132	125	487	525	44	62	0.15

Construction

The Grundfos LM/LP single-stage pumps are fitted with standard metric motors. The cast iron pump housing has in-line suction and discharge ports of identical dimensions, which are flanged in accordance with BS 4504: 1969, Table 16/11, both flanges having pressure gauge tapping of 1/4" B.S.P. Screwed boss counter flanges to Table 16/4 are available, as an optional extra.

The pump incorporates a mechanical shaft seal with seal faces of tungsten carbide and EPDM rubber O rings. The dimensions of the seal housing comply with the DIN 24960 standard, enabling different seals to be fitted, if necessary.

Both shaft seal and air vent screw are fitted in the cast iron pump head. Circulation of liquid in the duct of the air vent screw ensures lubrication and cooling of the seal faces.

The fabricated stainless steel impeller, which is splined to the stainless steel pump shaft, is both strong, light and has double curved blades for high efficiency and good suction characteristics.

The low mass of the impeller gives smooth, quiet operation and the corrosion resistant properties of stainless steel ensure that the original performance is maintained.

A base plate for easy mounting is fitted as standard to each pump.

Motor Data 3 x 415V & 3 x 380V, 50 Hz

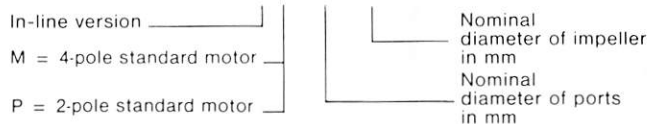
Model	Motor size kW	Full load current (A)		Locked rotor current ratio	Speed R.P.M.
		3x415V	3x380V		
LM 80-125/140	1.1	2.9	3.2	4.1	1405
LM 80-125/136	0.75	2.2	2.4	3.5	1390

Material Specification:

Pump Base:	Cast Iron	BS 1452 Grade 14
Pump Head:	Cast Iron	BS 1452 Grade 14
Coupling:	SG Iron	BS 2789 Type 2A
Pump Shaft:	Stainless Steel	BS 970 431 S29
Impeller:	Stainless Steel	BS 1449 304 S15
Impeller Nut:	Stainless Steel	BS 1449 304 S15
Neck Ring:	Stainless Steel	BS 1449 304 S15
Shaft Seal:	Tungsten Carbide with EPDM Rubber 'O' Rings	
Body Gasket:	EPDM Rubber	
Air Vent Screw:	Brass	

TYPE DESIGNATION

LM 80-125



Subject to alterations



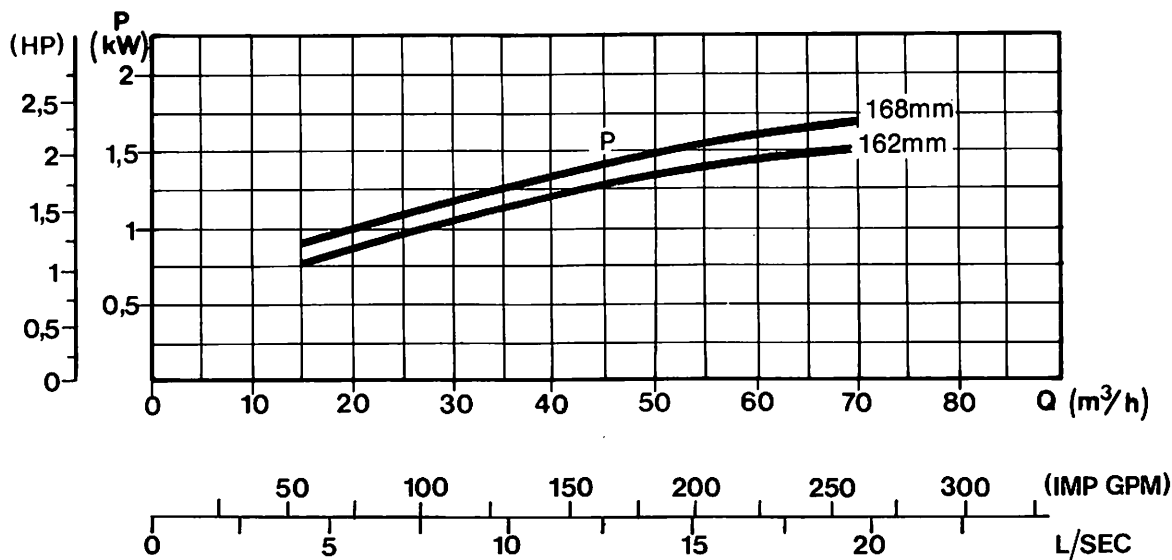
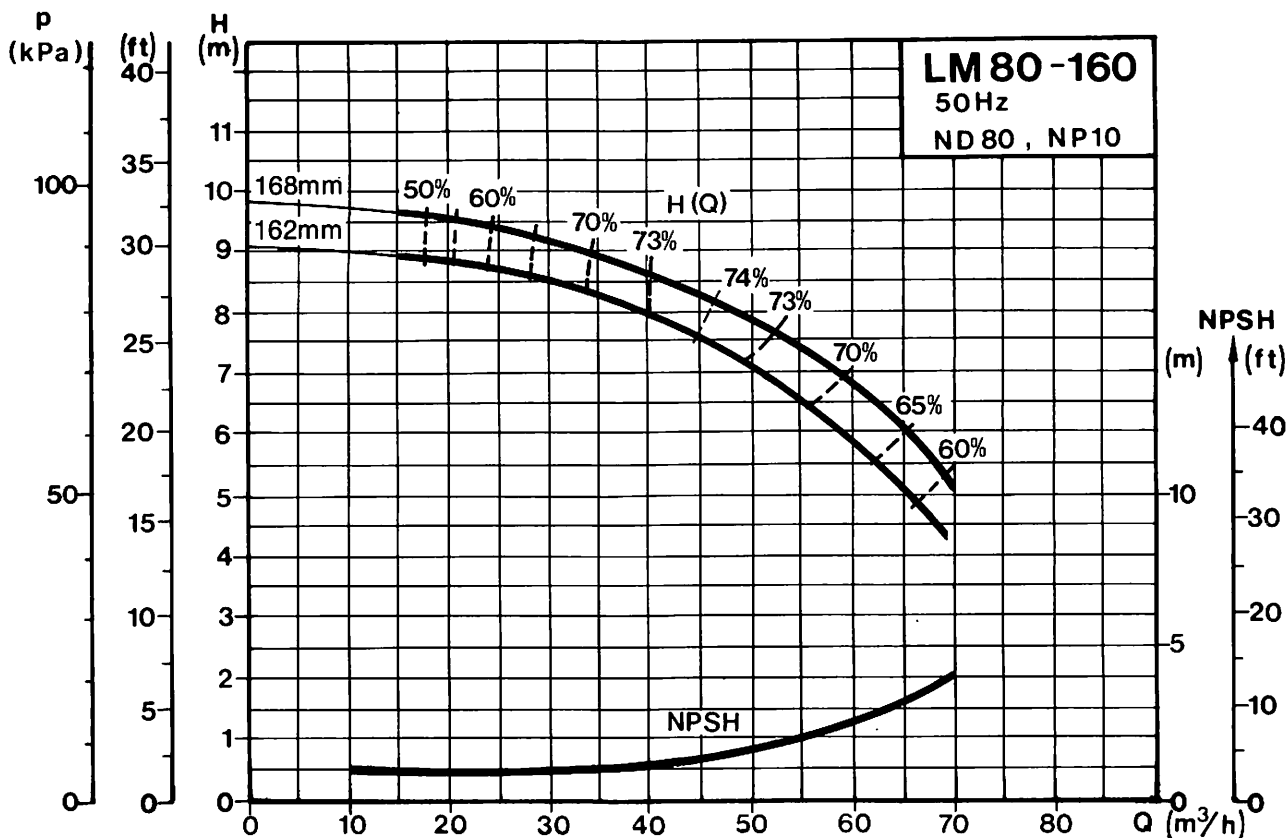
Grundfos Pumps Ltd. Head Office: Grovebury Road, Leighton Buzzard, Beds. LU7 8TL. Tel (0525) 374876. Telex 825544.
Northern Area Sales Office: Gawsworth Court, Risley Road, Risley, Warrington, Cheshire. Tel: Padgate (0925) 813300. Telex 628162.



GRUNDFOS®

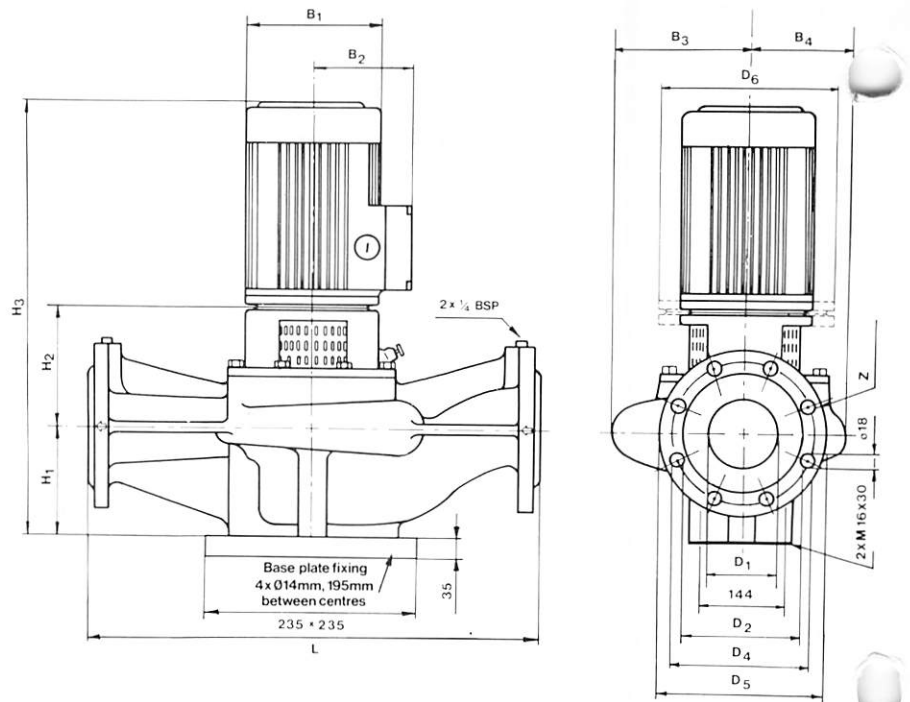
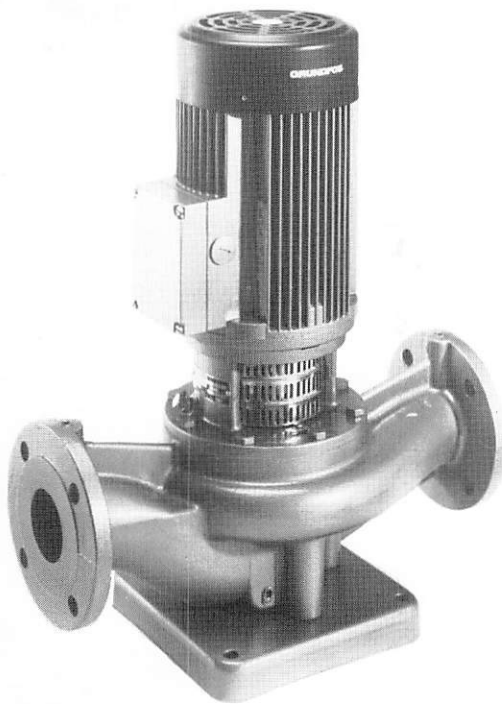
LM 80-160**GB****SINGLE-STAGE IN-LINE PUMPS****50 Hz**

TECHNICAL DATA



- Max. operating pressure: 10 bars (1.0 MPa).
- Liquid temperature: -20° C to 120° C.
- The performance range of the LM/LP pumps covers 10-150 m³/h (37-550 IMP GPM).
- The pump may be installed with the pump shaft vertical or horizontal, but never with the motor pointing downwards.

LM 80-160



Dimensions and weights

Model	B1 mm	B2 mm	B3 mm	B4 mm	D1 mm	D2 mm	No. Z	D4 mm	D5 mm	D6 mm	H1 mm	H2 mm	H3 mm	L mm	Net weight kgs	Gross weight kgs	Shipp. volume m ³
LM 80-160/168	178	125	180	150	80	140	8	160	200	—	110	185	546	525	68	93	0.20
LM 80-160/162	178	125	180	150	80	140	8	160	200	—	110	175	546	525	64	91	0.19

Construction

The Grundfos LM/LP single-stage pumps are fitted with standard metric motors. The cast iron pump housing has in-line suction and discharge ports of identical dimensions, which are flanged in accordance with BS 4504: 1969, Table 16/11, both flanges having pressure gauge tapings of 1/4" B.S.P. Screwed boss counter flanges to Table 16/4 are available, as an optional extra.

The pump incorporates a mechanical shaft seal with seal faces of tungsten carbide and EPDM rubber O rings. The dimensions of the seal housing comply with the DIN 24960 standard, enabling different seals to be fitted, if necessary.

Both shaft seal and air vent screw are fitted in the cast iron pump head. Circulation of liquid in the duct of the air vent screw ensures lubrication and cooling of the seal faces.

The fabricated stainless steel impeller, which is splined to the stainless steel pump shaft, is both strong, light and has double curved blades for high efficiency and good suction characteristics.

The low mass of the impeller gives smooth, quiet operation and the corrosion resistant properties of stainless steel ensure that the original performance is maintained.

A base plate for easy mounting is fitted as standard to each pump.

Motor Data 3 x 415V & 3 x 380V, 50 Hz

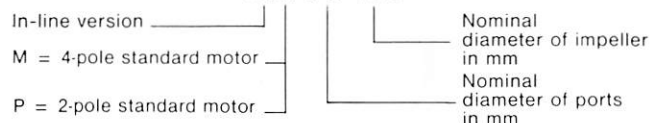
Model	Motor size kW	Full load current (A)		Locked rotor current ratio	Speed R.P.M.
		3x415V	3x380V		
LM 80-160/168	2.2	5.3	5.7	4.3	1405
LM 80-160/162	1.5	3.6	4.0	4.2	1400

Material Specification:

Pump Base:	Cast Iron	BS 1452 Grade 14
Pump Head:	Cast Iron	BS 1452 Grade 14
Coupling:	SG Iron	BS 2789 Type 2A
Pump Shaft:	Stainless Steel	BS 970 431 S29
Impeller:	Stainless Steel	BS 1449 304 S15
Impeller Nut:	Stainless Steel	BS 1449 304 S15
Neck Ring:	Stainless Steel	BS 1449 304 S15
Shaft Seal:	Tungsten Carbide with EPDM Rubber 'O' Rings	
Body Gasket:	EPDM Rubber	
Air Vent Screw:	Brass	

TYPE DESIGNATION

LM 80-160



Subject to alterations

GRUNDFOS

Grundfos Pumps Ltd. Head Office: Grovebury Road, Leighton Buzzard, Beds. LU7 8TL. Tel (0525) 374876. Telex 825544.
Northern Area Sales Office: Gawsworth Court, Risley Road, Risley, Warrington, Cheshire. Tel: Padgate (0925) 813300. Telex 628162.



GRUNDFOS®

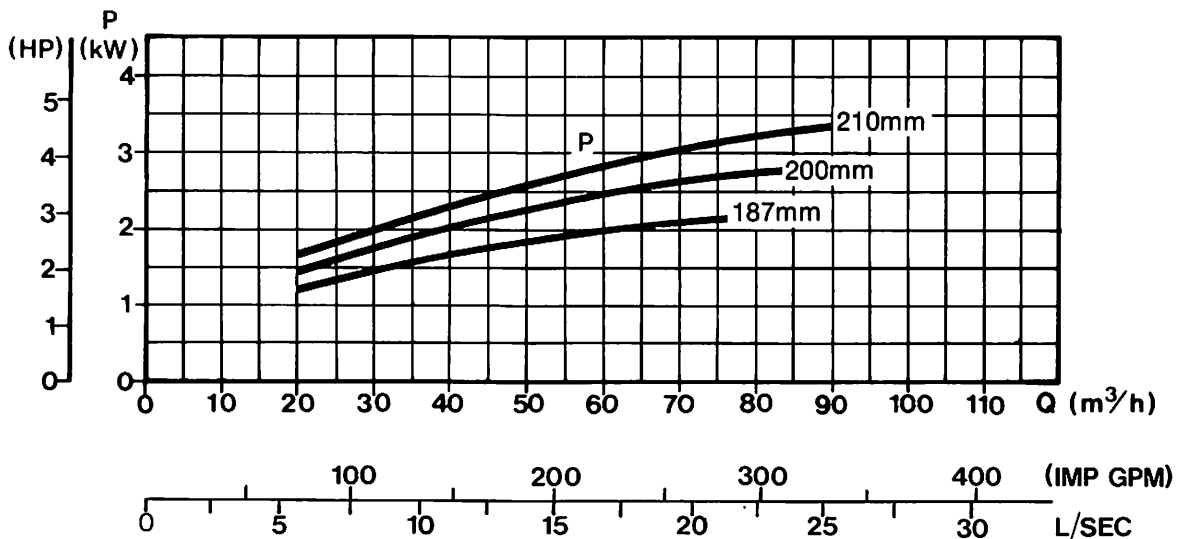
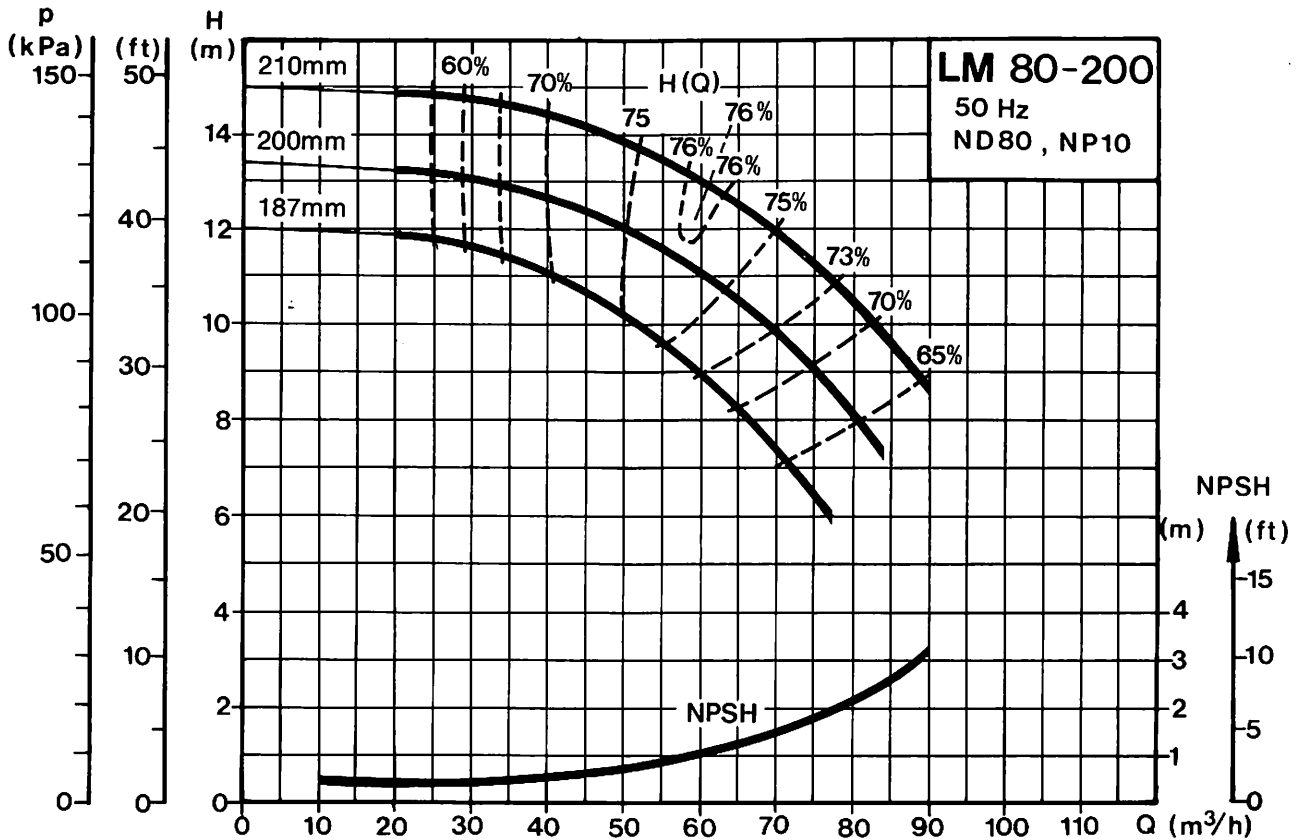
LM 80-200



SINGLE-STAGE IN-LINE PUMPS

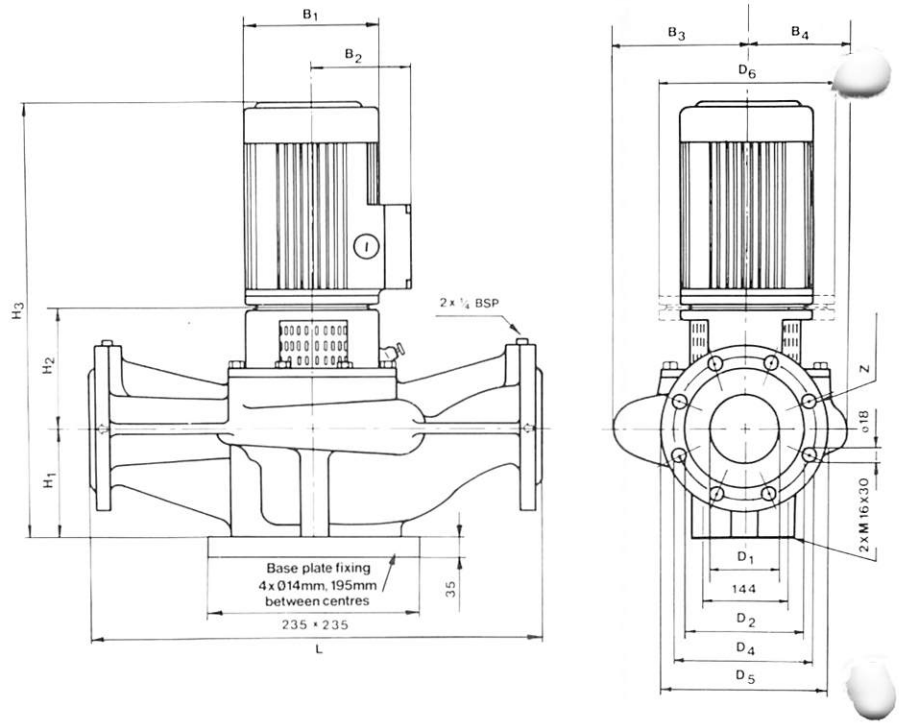
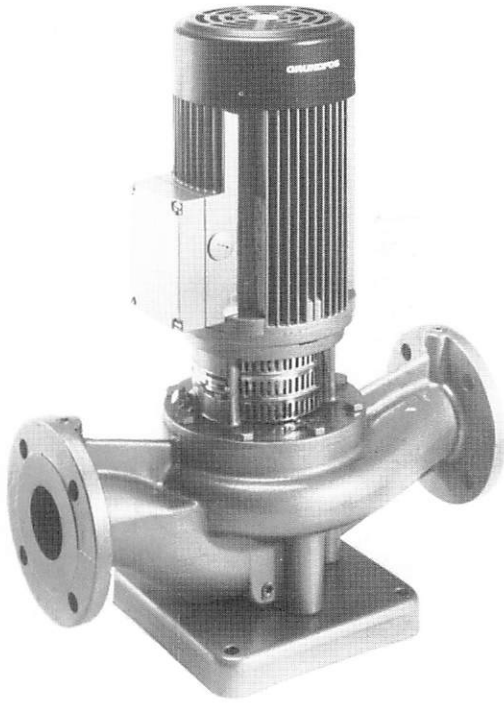
50 Hz

TECHNICAL DATA



- Max. operating pressure: 10 bars (1.0 MPa).
- Liquid temperature: - 20° C to 120° C.
- The performance range of the LM/LP pumps covers 10-150 m³/h (37-550 IMP GPM).
- The pump may be installed with the pump shaft vertical or horizontal, but never with the motor pointing downwards.

LM 80-200



Dimensions and weights

Model	B1 mm	B2 mm	B3 mm	B4 mm	D1 mm	D2 mm	No. Z	D4 mm	D5 mm	D6 mm	H1 mm	H2 mm	H3 mm	L mm	Net weight kgs	Gross weight kgs	Shipp. volume m ³
LM 80-200/210	220	148	180	150	80	140	8	160	200	—	110	214	699	525	82	112	0.29
LM 80-200/200	178	125	180	150	80	140	8	160	200	—	110	214	629	525	66	97	0.20
LM 80-200/187	178	125	180	150	80	140	8	160	200	—	110	214	585	525	65	96	0.20

Construction

The Grundfos LM/LP single-stage pumps are fitted with standard metric motors. The cast iron pump housing has in-line suction and discharge ports of identical dimensions, which are flanged in accordance with BS 4504: 1969, Table 16/11, both flanges having pressure gauge tapings of 1/4" B.S.P. Screwed boss counter flanges to Table 16/4 are available, as an optional extra.

The pump incorporates a mechanical shaft seal with seal faces of tungsten carbide and EPDM rubber O rings. The dimensions of the seal housing comply with the DIN 24960 standard, enabling different seals to be fitted, if necessary.

Both shaft seal and air vent screw are fitted in the cast iron pump head. Circulation of liquid in the duct of the air vent screw ensures lubrication and cooling of the seal faces.

The fabricated stainless steel impeller, which is splined to the stainless steel pump shaft, is both strong, light and has double curved blades for high efficiency and good suction characteristics.

The low mass of the impeller gives smooth, quiet operation and the corrosion resistant properties of stainless steel ensure that the original performance is maintained.

A base plate for easy mounting is fitted as standard to each pump.

Motor Data 3 x 415V & 3 x 380V, 50 Hz

Model	Motor size kW	Full load current (A)		Locked rotor current ratio	Speed R.P.M.
		3x415V	3x380V		
LM 80-200/210	4.0	9.1	10.0	4.8	1430
LM 80-200/200	3.0	7.0	7.7	4.3	1400
LM 80-200/187	2.2	5.3	5.7	4.3	1405

Material Specification:

Pump Base:	Cast Iron	BS 1452 Grade 14
Pump Head:	Cast Iron	BS 1452 Grade 14
Coupling:	SG Iron	BS 2789 Type 2A
Pump Shaft:	Stainless Steel	BS 970 431 S29
Impeller:	Stainless Steel	BS 1449 304 S15
Impeller Nut:	Stainless Steel	BS 1449 304 S15
Neck Ring:	Stainless Steel	BS 1449 304 S15
Shaft Seal:	Tungsten Carbide with EPDM Rubber 'O' Rings	
Body Gasket:	EPDM Rubber	
Air Vent Screw:	Brass	

TYPE DESIGNATION

LM 80-200

In-line version	_____	Nominal diameter of impeller in mm	
M = 4-pole standard motor	_____		Nominal diameter of ports in mm
P = 2-pole standard motor	_____		

Subject to alterations

GRUNDFOS

Grundfos Pumps Ltd. Head Office: Grovebury Road, Leighton Buzzard, Beds. LU7 8TL. Tel (0525) 374876. Telex 825544.
Northern Area Sales Office: Gawsworth Court, Risley Road, Risley, Warrington, Cheshire. Tel: Padgate (0925) 813300. Telex 628162.



GRUNDFOS®

LP 65-125

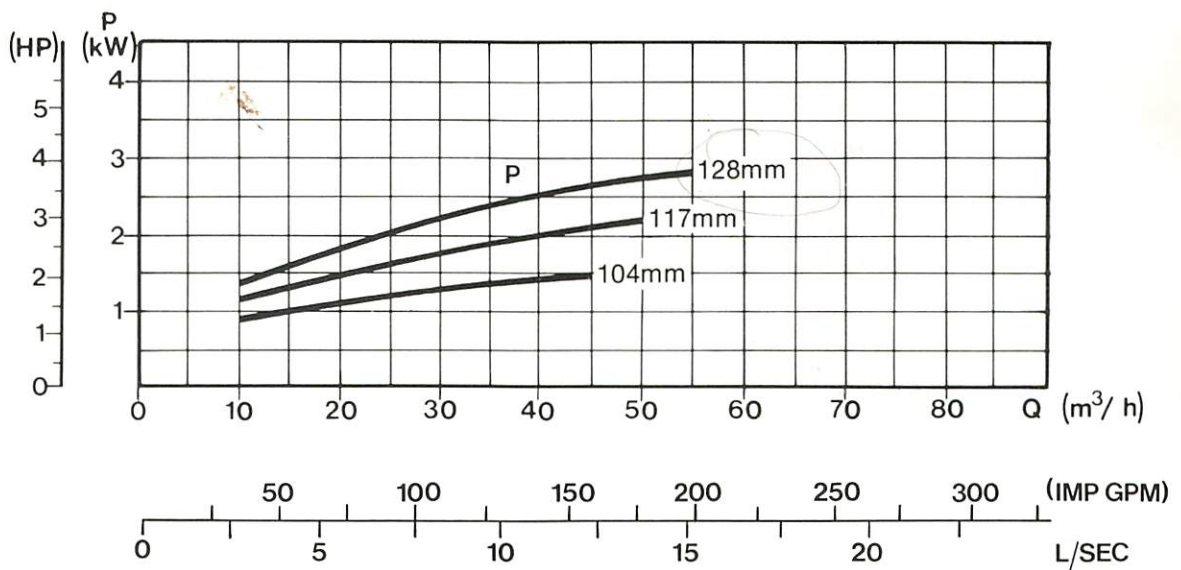
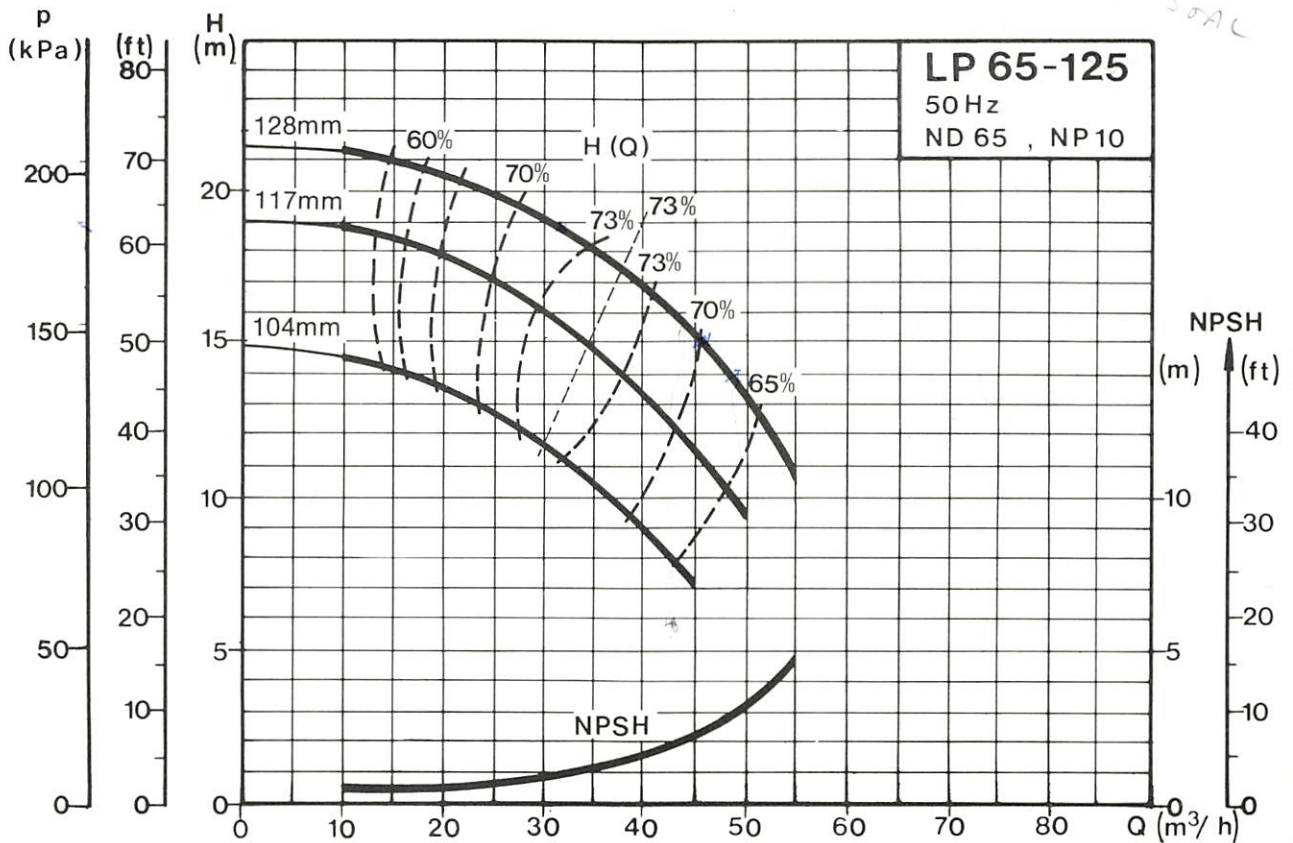
GB

SINGLE-STAGE IN-LINE PUMPS

50 Hz

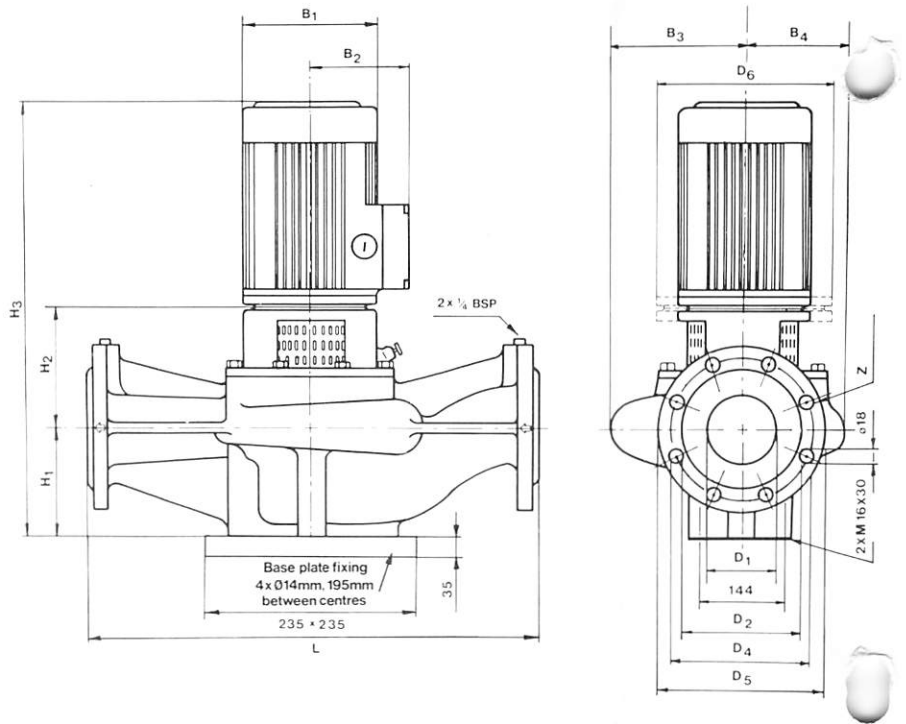
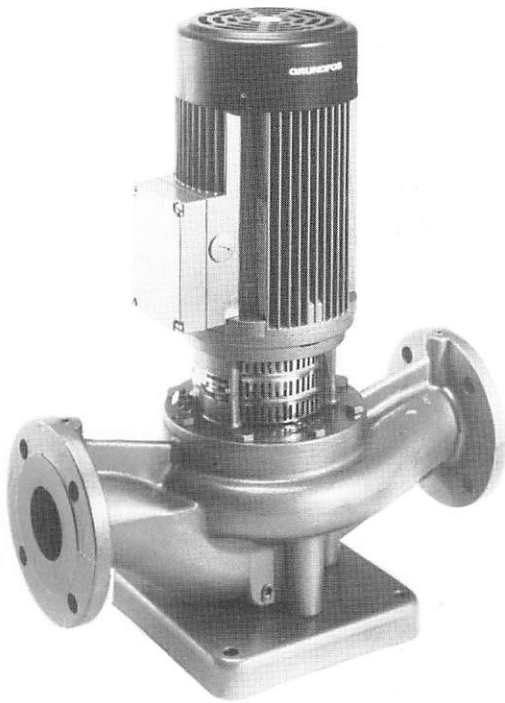
TECHNICAL DATA

STANDARD ROBE SEAL



- Max. operating pressure: 10 bars (1.0 MPa).
- Liquid temperature: -20° C to 120° C.
- The performance range of the LM/LP pumps covers 10-150 m³/h (37-550 IMP GPM).
- The pump may be installed with the pump shaft vertical or horizontal, but never with the motor pointing downwards.

LP 65-125



Dimensions and weights

Model	B1 mm	B2 mm	B3 mm	B4 mm	D1 mm	D2 mm	No. Z	D4 mm	D5 mm	D6 mm	H1 mm	H2 mm	H3 mm	L mm	Net weight kgs	Gross weight kgs	Shipp. volume m ³
LP 65-125/128	178	125	130	110	65	122	4	145	185	—	117	145	567	475	53	71	0.15
LP 65-125/117	178	125	130	110	65	122	4	145	185	—	117	135	513	475	50	68	0.15
LP 65-125/104	178	125	130	110	65	122	4	145	185	—	117	135	513	475	47	65	0.14

Construction

The Grundfos LM/LP single-stage pumps are fitted with standard metric motors. The cast iron pump housing has in-line suction and discharge ports of identical dimensions, which are flanged in accordance with BS 4504: 1969, Table 16/11, both flanges having pressure gauge tappings of 1/4" B.S.P. Screwed boss counter flanges to Table 16/4 are available, as an optional extra.

The pump incorporates a mechanical shaft seal with seal faces of tungsten carbide and EPDM rubber O rings. The dimensions of the seal housing comply with the DIN 24960 standard, enabling different seals to be fitted, if necessary.

Both shaft seal and air vent screw are fitted in the cast iron pump head. Circulation of liquid in the duct of the air vent screw ensures lubrication and cooling of the seal faces.

The fabricated stainless steel impeller, which is splined to the stainless steel pump shaft, is both strong, light and has double curved blades for high efficiency and good suction characteristics.

The low mass of the impeller gives smooth, quiet operation and the corrosion resistant properties of stainless steel ensure that the original performance is maintained.

A base plate for easy mounting is fitted as standard to each pump.

Motor Data 3 x 415V & 3 x 380V, 50 Hz

Model	Motor size kW	Full load current (A)		Locked rotor current ratio	Speed R.P.M.
		3x415V	3x380V		
LP 65-125/128	3.0	6.1	6.7	6.4	2850
LP 65-125/117	2.2	4.7	5.2	5.9	2855
LP 65-125/104	1.5	3.3	3.6	5.6	2850

Material Specification:

Pump Base:	Cast Iron	BS 1452 Grade 14
Pump Head:	Cast Iron	BS 1452 Grade 14
Coupling:	SG Iron	BS 2789 Type 2A
Pump Shaft:	Stainless Steel	BS 970 431 S29
Impeller:	Stainless Steel	BS 1449 304 S15
Impeller Nut:	Stainless Steel	BS 1449 304 S15
Neck Ring:	Stainless Steel	BS 1449 304 S15
Shaft Seal:	Tungsten Carbide with EPDM Rubber 'O' Rings	
Body Gasket:	EPDM Rubber	
Air Vent Screw:	Brass	

TYPE DESIGNATION

LP 65-125

In-line version	} Nominal diameter of impeller in mm
M = 4-pole standard motor	
P = 2-pole standard motor	

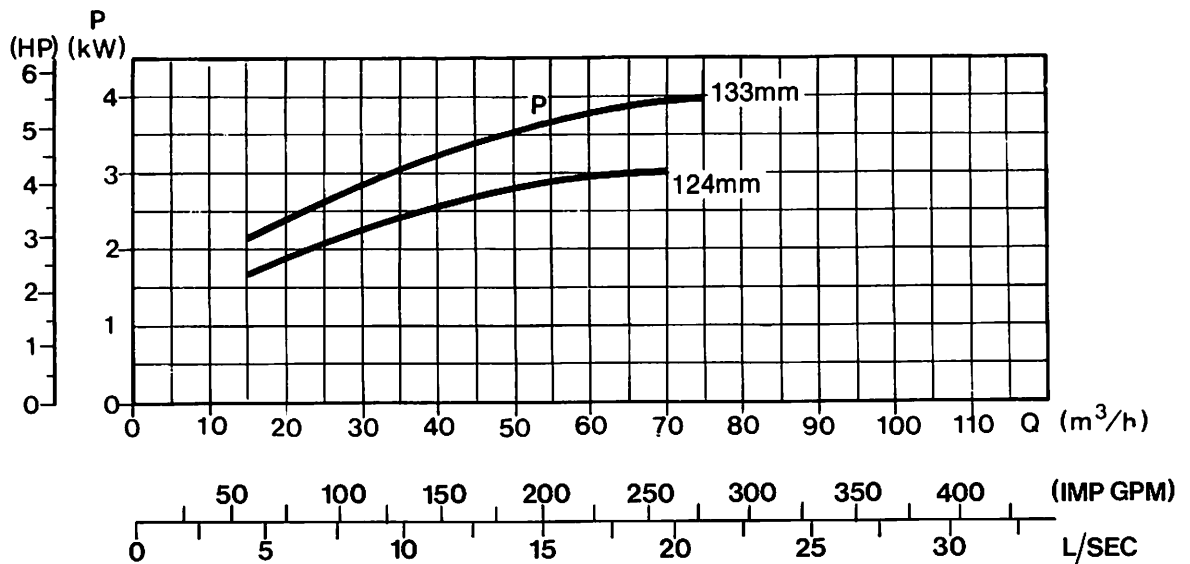
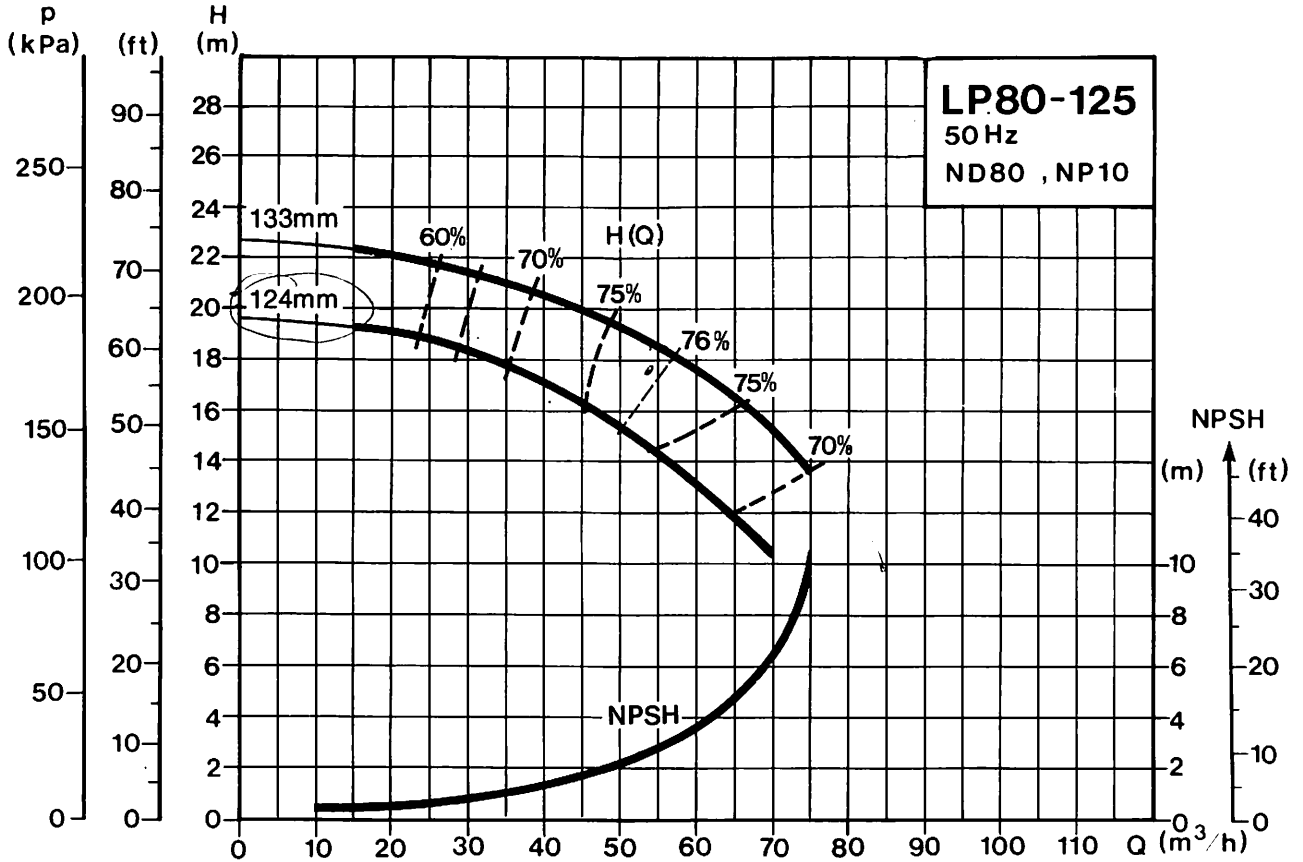
Subject to alterations

GRUNDFOS

Grundfos Pumps Ltd. Head Office: Grovebury Road, Leighton Buzzard, Beds. LU7 8TL. Tel (0525) 374876. Telex 825544.
Northern Area Sales Office: Gawsworth Court, Risley Road, Risley, Warrington, Cheshire. Tel: Padgate (0925) 813300. Telex 628162.

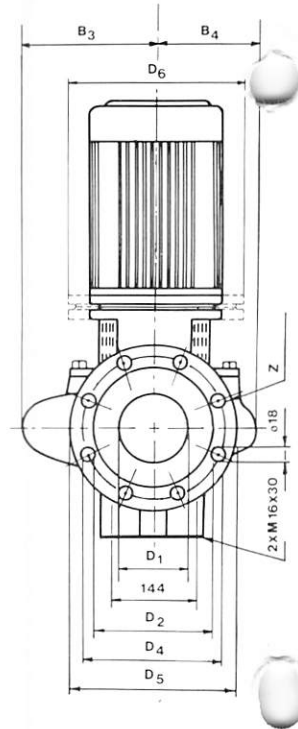
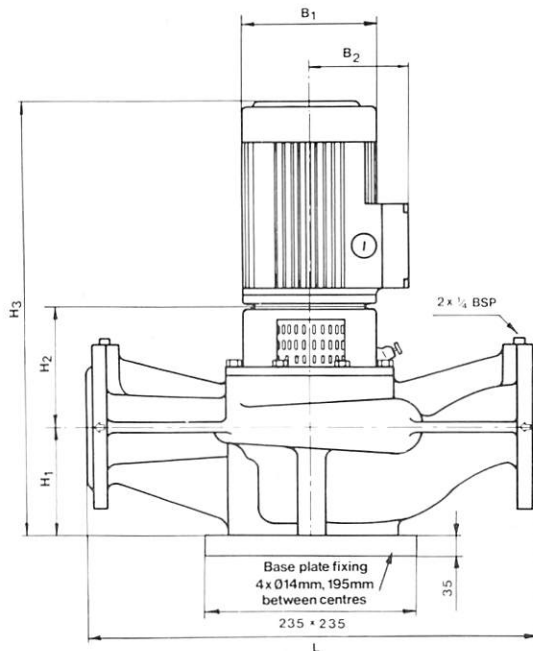
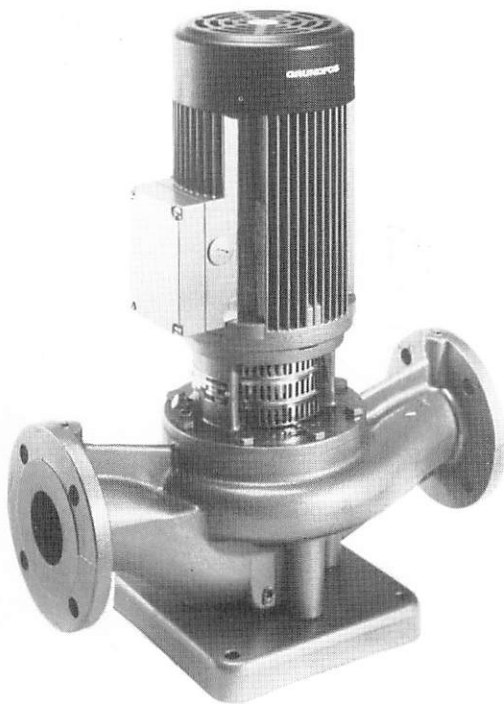


TECHNICAL DATA



- Max. operating pressure: 10 bars (1.0 MPa).
- Liquid temperature: - 20° C to 120° C.
- The performance range of the LM/LP pumps covers 10-150 m³/h (37-550-IMP GPM).
- The pump may be installed with the pump shaft vertical or horizontal, but never with the motor pointing downwards.

LP 80-125



Dimensions and weights

Model	B1 mm	B2 mm	B3 mm	B4 mm	D1 mm	D2 mm	No. Z	D4 mm	D5 mm	D6 mm	H1 mm	H2 mm	H3 mm	L mm	Net weight kgs	Gross weight kgs	Shipp. volume m ³
LP 80-125/133	178	125	158	123	80	140	8	160	200	—	132	145	652	525	60	85	0.20
LP 80-125/124	178	125	158	123	80	140	8	160	200	—	132	145	582	525	59	82	0.19

Construction

The Grundfos LM/LP single-stage pumps are fitted with standard metric motors. The cast iron pump housing has in-line suction and discharge ports of identical dimensions, which are flanged in accordance with BS 4504: 1969, Table 16/11, both flanges having pressure gauge tappings of 1/4" B.S.P. Screwed boss counter flanges to Table 16/4 are available, as an optional extra.

The pump incorporates a mechanical shaft seal with seal faces of tungsten carbide and EPDM rubber O rings. The dimensions of the seal housing comply with the DIN 24960 standard, enabling different seals to be fitted, if necessary.

Both shaft seal and air vent screw are fitted in the cast iron pump head. Circulation of liquid in the duct of the air vent screw ensures lubrication and cooling of the seal faces.

The fabricated stainless steel impeller, which is splined to the stainless steel pump shaft, is both strong, light and has double curved blades for high efficiency and good suction characteristics.

The low mass of the impeller gives smooth, quiet operation and the corrosion resistant properties of stainless steel ensure that the original performance is maintained.

A base plate for easy mounting is fitted as standard to each pump.

Motor Data 3 x 415V & 3 x 380V, 50 Hz

Model	Motor size kW	Full load current (A)		Locked rotor current ratio	Speed R.P.M.
		3x415V	3x380V		
LP 80-125/133	4.0	8.5	9.4	5.9	2855
LP 80-125/124	3.0	6.1	6.7	6.4	2850

Material Specification:

Pump Base:	Cast Iron	BS 1452 Grade 14
Pump Head:	Cast Iron	BS 1452 Grade 14
Coupling:	SG Iron	BS 2789 Type 2A
Pump Shaft:	Stainless Steel	BS 970 431 S29
Impeller:	Stainless Steel	BS 1449 304 S15
Impeller Nut:	Stainless Steel	BS 1449 304 S15
Neck Ring:	Stainless Steel	BS 1449 304 S15
Shaft Seal:	Tungsten Carbide with EPDM Rubber 'O' Rings	
Body Gasket:	EPDM Rubber	
Air Vent Screw:	Brass	

TYPE DESIGNATION

LP 80-125



Subject to alterations

GRUNDFOS

Grundfos Pumps Ltd. Head Office: Grovebury Road, Leighton Buzzard, Beds. LU7 8TL. Tel (0525) 374876. Telex 825544.
Northern Area Sales Office: Gawsworth Court, Risley Road, Risley, Warrington, Cheshire. Tel: Padgate (0925) 813300. Telex 628162.



GRUNDFOS®

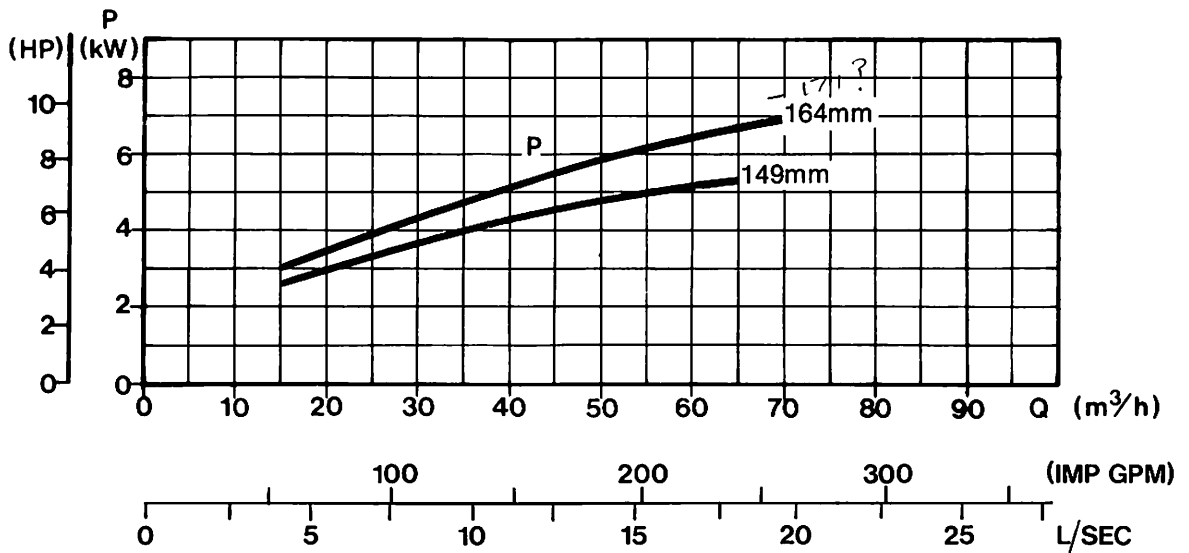
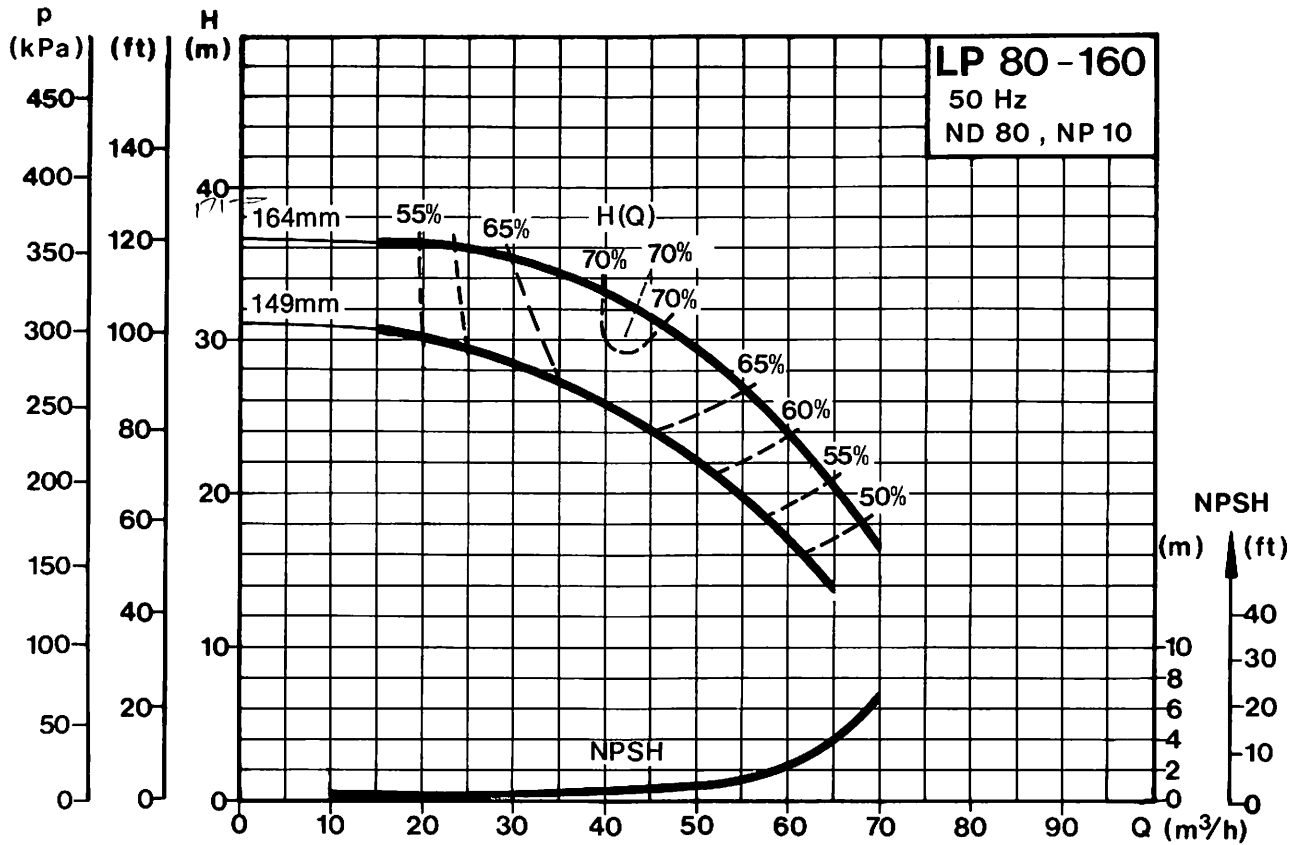
LP 80-160



SINGLE-STAGE IN-LINE PUMPS

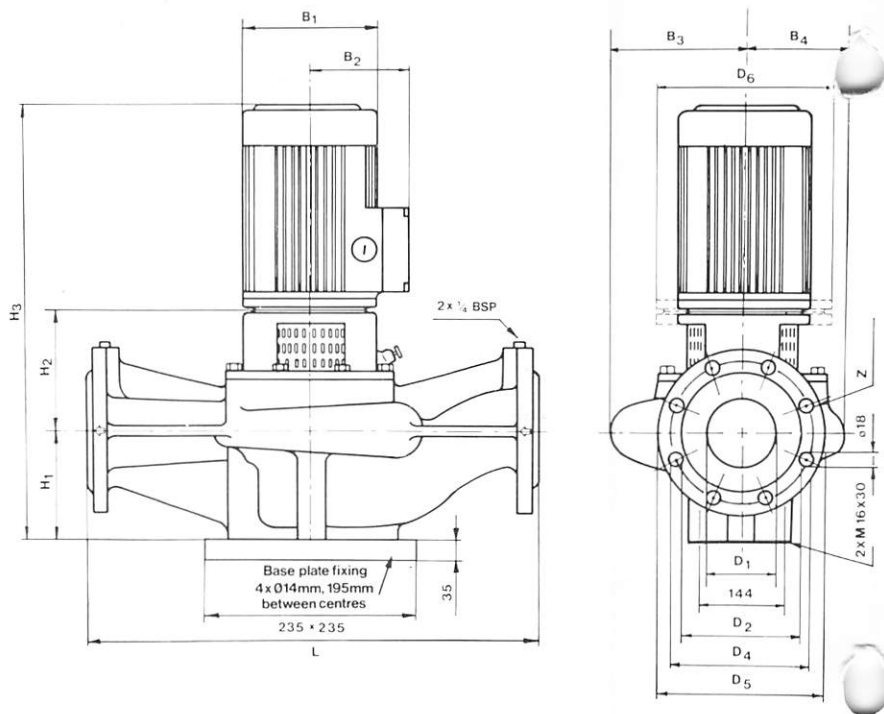
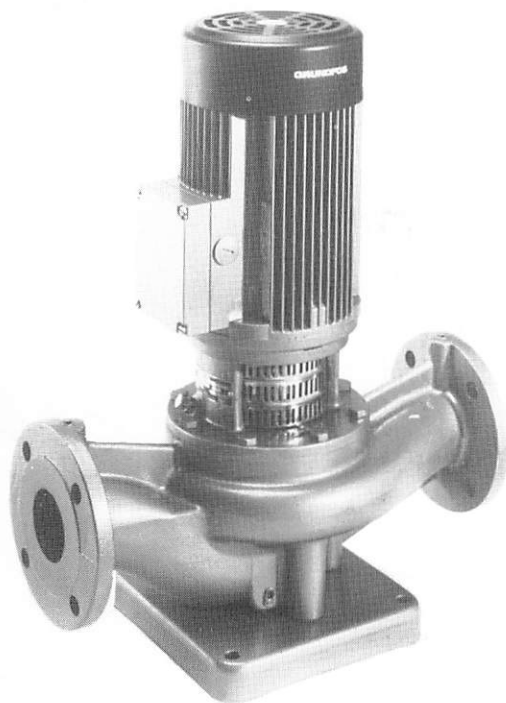
50 Hz

TECHNICAL DATA



- Max. operating pressure: 10 bars (1.0 MPa).
- Liquid temperature: - 20° C to 120° C.
- The performance range of the LM/LP pumps covers 10-150 m³/h (37-550 IMP GPM).
- The pump may be installed with the pump shaft vertical or horizontal, but never with the motor pointing downwards.

LP 80-160



Dimensions and weights

Model	B1 mm	B2 mm	B3 mm	B4 mm	D1 mm	D2 mm	No. Z	D4 mm	D5 mm	D6 mm	H1 mm	H2 mm	H3 mm	L mm	Net weight kgs	Gross weight kgs	Shipp. volume m ³
LP 80-160/164	220	148	156	150	80	140	8	160	200	300	127	200	704	525	91	121	0.29
LP 80-160/149	220	148	156	150	80	140	8	160	200	—	127	200	704	525	85	115	0.21

Construction

The Grundfos LM/LP single-stage pumps are fitted with standard metric motors. The cast iron pump housing has in-line suction and discharge ports of identical dimensions, which are flanged in accordance with BS 4504: 1969, Table 16/11, both flanges having pressure gauge tapings of 1/4" B.S.P. Screwed boss counter flanges to Table 16/4 are available, as an optional extra.

The pump incorporates a mechanical shaft seal with seal faces of tungsten carbide and EPDM rubber O rings. The dimensions of the seal housing comply with the DIN 24960 standard, enabling different seals to be fitted, if necessary.

Both shaft seal and air vent screw are fitted in the cast iron pump head. Circulation of liquid in the duct of the air vent screw ensures lubrication and cooling of the seal faces.

The fabricated stainless steel impeller, which is splined to the stainless steel pump shaft, is both strong, light and has double curved blades for high efficiency and good suction characteristics.

The low mass of the impeller gives smooth, quiet operation and the corrosion resistant properties of stainless steel ensure that the original performance is maintained.

A base plate for easy mounting is fitted as standard to each pump.

Motor Data 3 x 415V & 3 x 380V, 50 Hz

Model	Motor size kW	Full load current (A)		Locked rotor current ratio	Speed R.P.M.
		3x415V	3x380V		
LP 80-160/164	7.5	14.8	15.9	6.9	2880
LP 80-160/149	5.5	11.2	12.2	7.0	2870

Material Specification:

Pump Base:	Cast Iron	BS 1452 Grade 14
Pump Head:	Cast Iron	BS 1452 Grade 14
Coupling:	SG Iron	BS 2789 Type 2A
Pump Shaft:	Stainless Steel	BS 970 431 S29
Impeller:	Stainless Steel	BS 1449 304 S15
Impeller Nut:	Stainless Steel	BS 1449 304 S15
Neck Ring:	Stainless Steel	BS 1449 304 S15
Shaft Seal:	Tungsten Carbide with EPDM Rubber 'O' Rings	
Body Gasket:	EPDM Rubber	
Air Vent Screw:	Brass	

TYPE DESIGNATION

LP 80-160



Subject to alterations

GRUNDFOS

Grundfos Pumps Ltd. Head Office: Grovebury Road, Leighton Buzzard, Beds. LU7 8TL. Tel (0525) 374876. Telex 825544.
Northern Area Sales Office: Gawsworth Court, Risley Road, Risley, Warrington, Cheshire. Tel: Padgate (0925) 813300. Telex 628162.



GRUNDFOS®

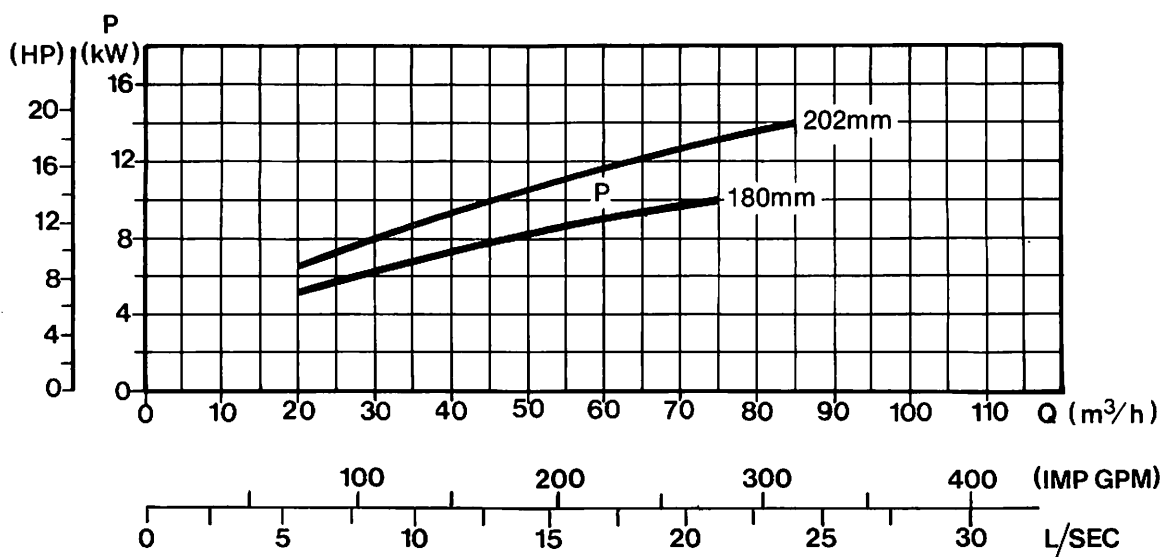
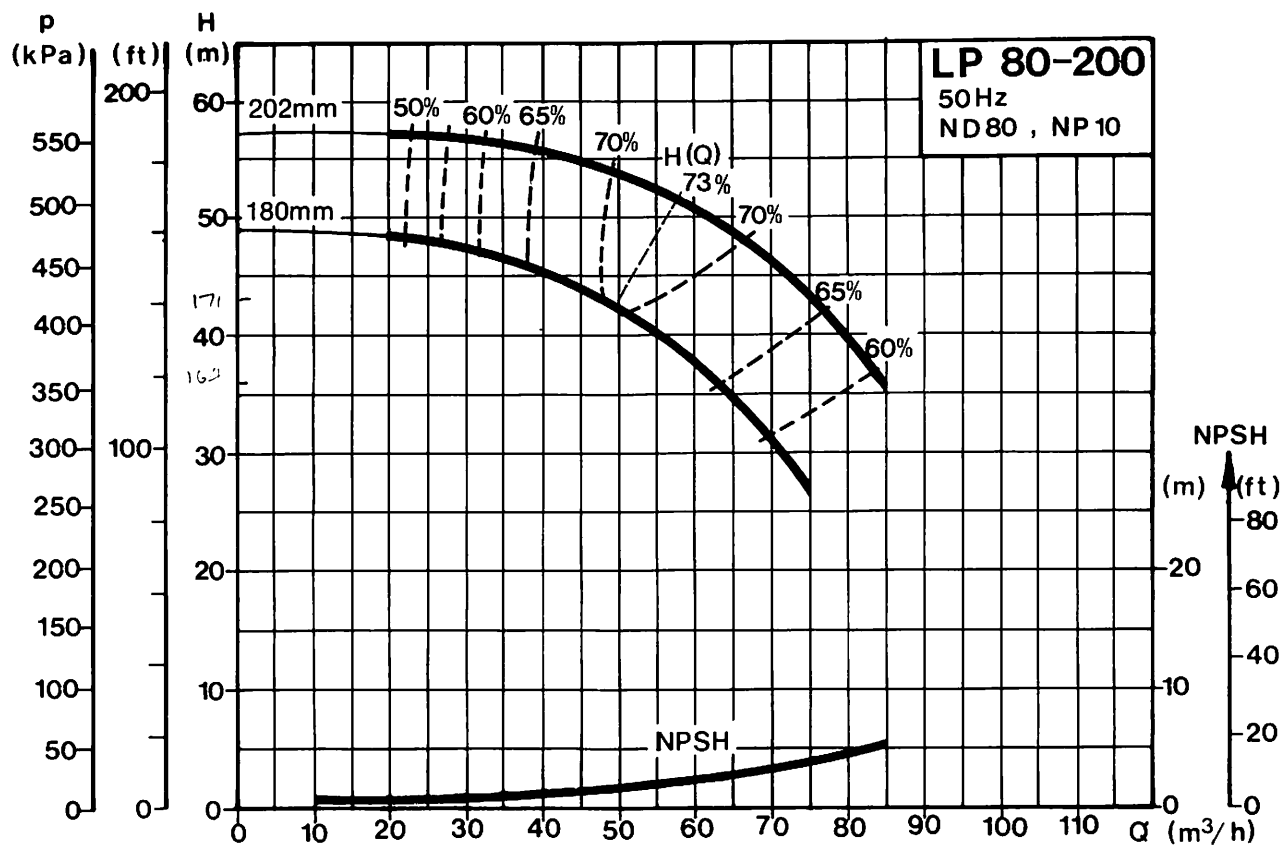
LP 80-200

GB

SINGLE-STAGE IN-LINE PUMPS

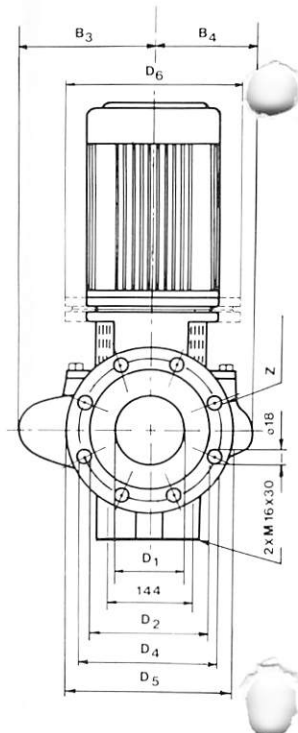
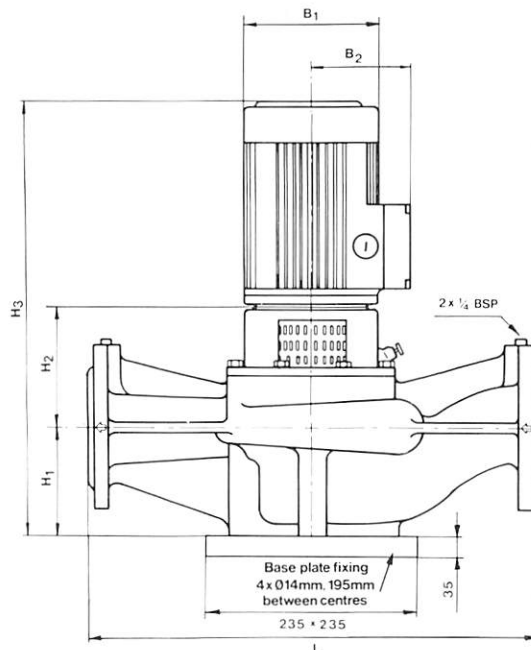
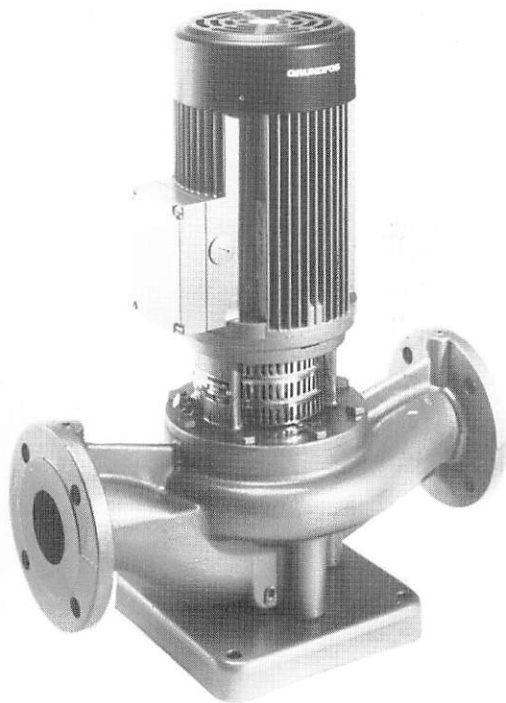
50 Hz

TECHNICAL DATA



- Max. operating pressure: 10 bars (1.0 MPa).
- Liquid temperature: - 20° C to 120° C.
- The performance range of the LM/LP pumps covers 10-150 m³/h (37-550 IMP GPM).
- The pump may be installed with the pump shaft vertical or horizontal, but never with the motor pointing downwards.

LP 80-200



Dimensions and weights

Model	B1 mm	B2 mm	B3 mm	B4 mm	D1 mm	D2 mm	No. Z	D4 mm	D5 mm	D6 mm	H1 mm	H2 mm	H3 mm	L mm	Net weight kgs	Gross weight kgs	Shipp. volume m ³
LP 80-200/202	313	242	156	150	80	140	8	160	200	350	127	230	841	525	140	180	0.34
LP 80-200/180	258	200	156	150	80	140	8	160	200	350	127	230	841	525	140	171	0.34

Construction

The Grundfos LM/LP single-stage pumps are fitted with standard metric motors. The cast iron pump housing has in-line suction and discharge ports of identical dimensions, which are flanged in accordance with BS 4504: 1969, Table 16/11, both flanges having pressure gauge tappings of 1/4" B.S.P. Screwed boss counter flanges to Table 16/4 are available, as an optional extra.

The pump incorporates a mechanical shaft seal with seal faces of tungsten carbide and EPDM rubber O rings. The dimensions of the seal housing comply with the DIN 24960 standard, enabling different seals to be fitted, if necessary.

Both shaft seal and air vent screw are fitted in the cast iron pump head. Circulation of liquid in the duct of the air vent screw ensures lubrication and cooling of the seal faces.

The fabricated stainless steel impeller, which is splined to the stainless steel pump shaft, is both strong, light and has double curved blades for high efficiency and good suction characteristics.

The low mass of the impeller gives smooth, quiet operation and the corrosion resistant properties of stainless steel ensure that the original performance is maintained.

A base plate for easy mounting is fitted as standard to each pump.

Motor Data 3 x 415V & 3 x 380V, 50 Hz

Model	Motor size kW	Full load current (A)		Locked rotor current ratio	Speed R.P.M.
		3x415V	3x380V		
LP 80-200/202	15.0	27.0	29.0	6.5	2900
LP 80-200/180	11.0	19.5	21.5	6.5	2900

Material Specification:

Pump Base:	Cast Iron	BS 1452 Grade 14
Pump Head:	Cast Iron	BS 1452 Grade 14
Coupling:	SG Iron	BS 2789 Type 2A
Pump Shaft:	Stainless Steel	BS 970 431 S29
Impeller:	Stainless Steel	BS 1449 304 S15
Impeller Nut:	Stainless Steel	BS 1449 304 S15
Neck Ring:	Stainless Steel	BS 1449 304 S15
Shaft Seal:	Tungsten Carbide with EPDM Rubber 'O' Rings	
Body Gasket:	EPDM Rubber	
Air Vent Screw:	Brass	

TYPE DESIGNATION

LP 80-200

In-line version	_____	Nominal diameter of impeller in mm Nominal diameter of ports in mm
M = 4-pole standard motor	_____	
P = 2-pole standard motor	_____	

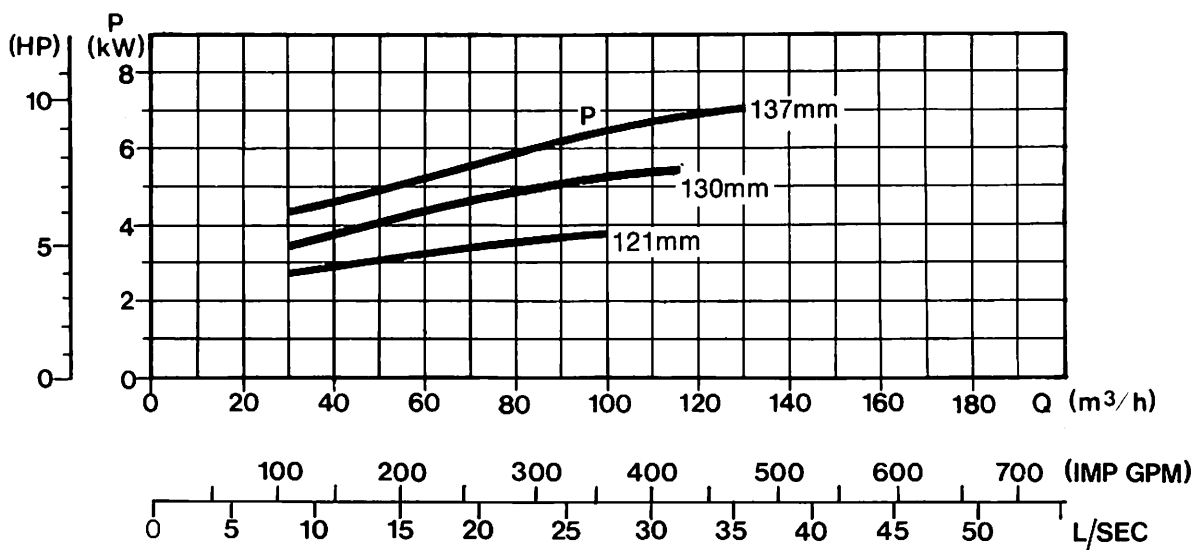
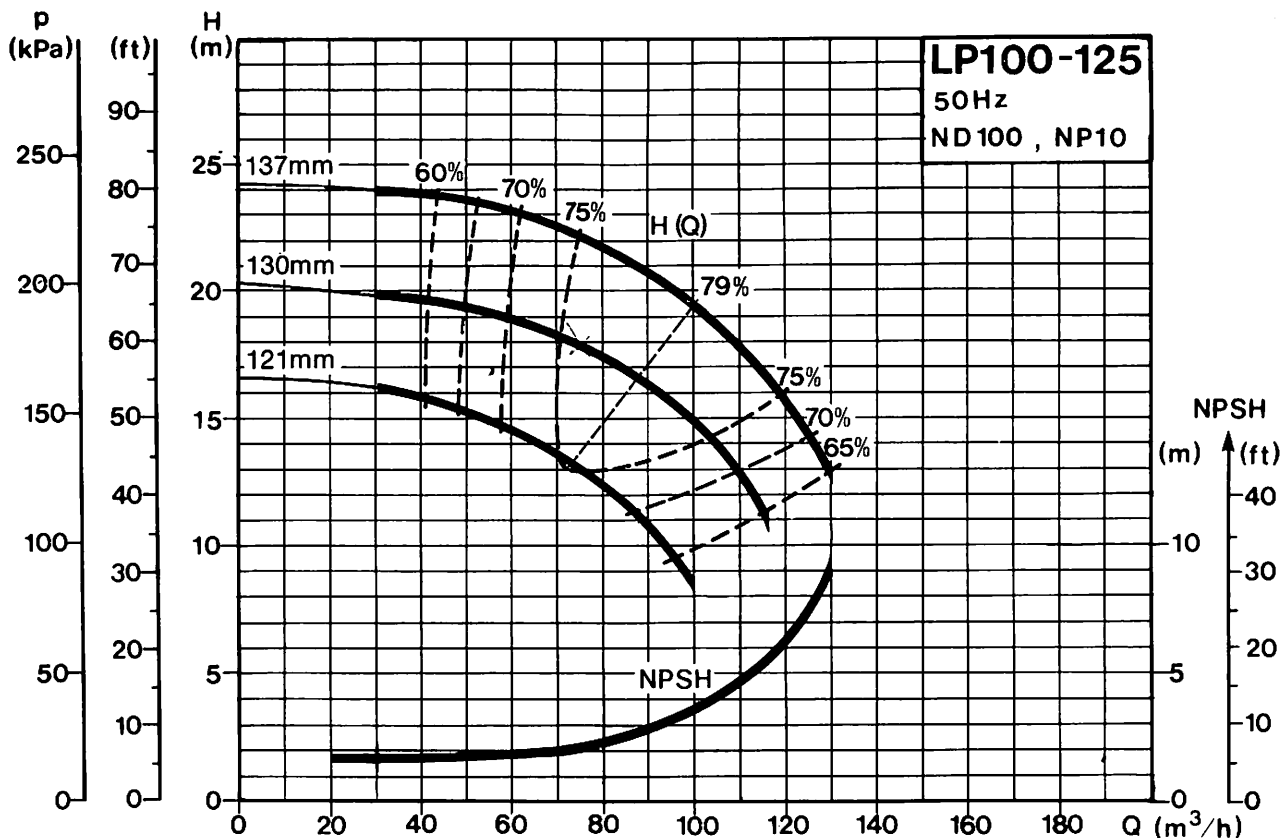
Subject to alterations



Grundfos Pumps Ltd. Head Office: Grovebury Road, Leighton Buzzard, Beds. LU7 8TL. Tel (0525) 374876. Telex 825544.
Northern Area Sales Office: Gawsorth Court, Risley Road, Risley, Warrington, Cheshire. Tel: Padgate (0925) 813300. Telex 628162.

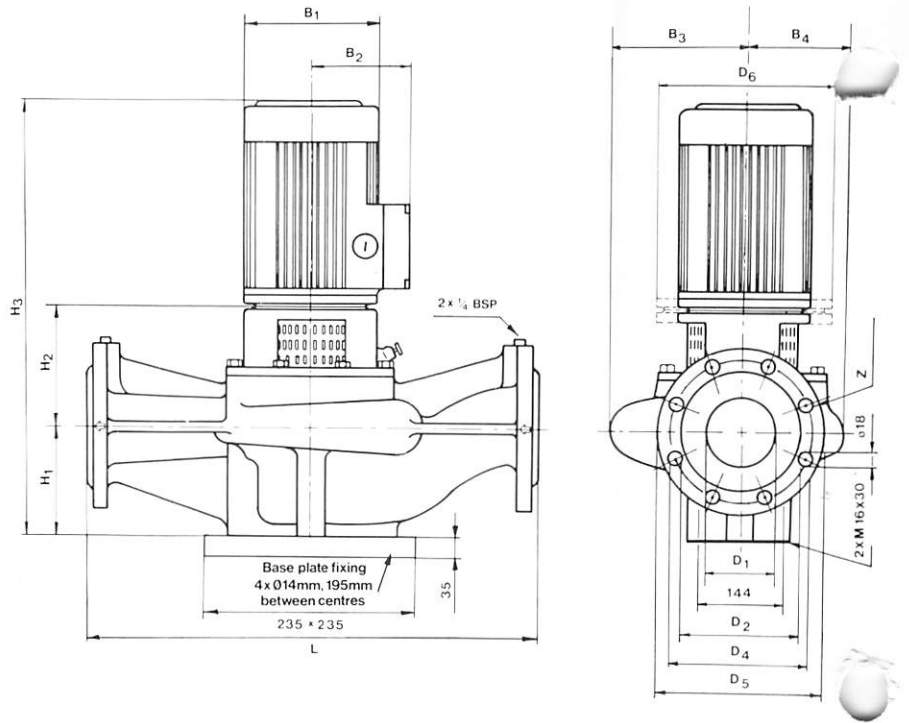
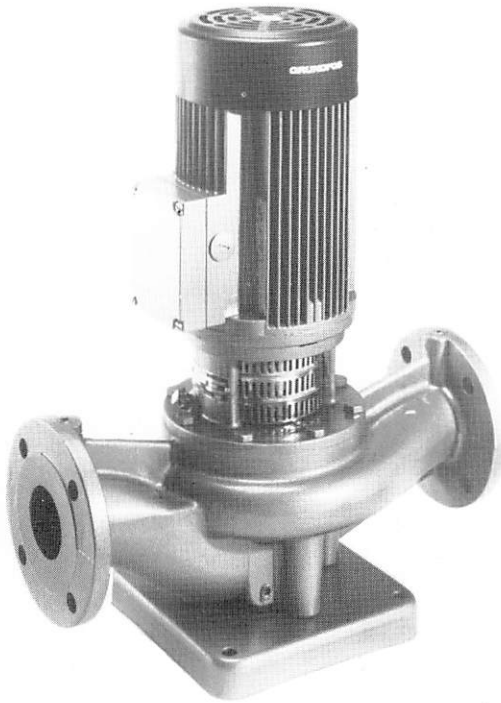


TECHNICAL DATA



- Max. operating pressure: 10 bars (1.0 MPa).
- Liquid temperature: -20°C to 120°C.
- The performance range of the LM/LP pumps covers 10-150 m³/h (37-550 IMP GPM).
- The pump may be installed with the pump shaft vertical or horizontal, but never with the motor pointing downwards.

LP 100-125



Dimensions and weights

Model	B1 mm	B2 mm	B3 mm	B4 mm	D1 mm	D2 mm	No. Z	D4 mm	D5 mm	D6 mm	H1 mm	H2 mm	H3 mm	L mm	Net weight kgs	Gross weight kgs	Shipp. volume m ³
LP 100-125/137	220	148	170	140	100	160	8	180	220	300	110	232	720	550	101	131	0.29
LP 100-125/130	220	148	170	140	100	160	8	180	220	300	110	232	720	550	95	122	0.23
LP 100-125/121	178	125	170	140	100	160	8	180	220	—	110	210	718	550	81	99	0.20

Construction

The Grundfos LM/LP single-stage pumps are fitted with standard metric motors. The cast iron pump housing has in-line suction and discharge ports of identical dimensions, which are flanged in accordance with BS 4504: 1969, Table 16/11, both flanges having pressure gauge tappings of 1/4" B.S.P. Screwed boss counter flanges to Table 16/4 are available, as an optional extra.

The pump incorporates a mechanical shaft seal with seal faces of tungsten carbide and EPDM rubber O rings. The dimensions of the seal housing comply with the DIN 24960 standard, enabling different seals to be fitted, if necessary.

Both shaft seal and air vent screw are fitted in the cast iron pump head. Circulation of liquid in the duct of the air vent screw ensures lubrication and cooling of the seal faces.

The fabricated stainless steel impeller, which is splined to the stainless steel pump shaft, is both strong, light and has double curved blades for high efficiency and good suction characteristics.

The low mass of the impeller gives smooth, quiet operation and the corrosion resistant properties of stainless steel ensure that the original performance is maintained.

A base plate for easy mounting is fitted as standard to each pump.

Motor Data 3 x 415V & 3 x 380V, 50 Hz

Model	Motor size kW	Full load current (A)		Locked rotor current ratio	Speed R.P.M.
		3x415V	3x380V		
LP 100-125/137	7.5	14.8	15.9	6.9	2880
LP 100-125/130	5.5*	11.2	12.2	7.0	2870
LP 100-125/121	4.0	8.5	9.4	5.9	2855

Material Specification:

Pump Base:	Cast Iron	BS 1452 Grade 14
Pump Head:	Cast Iron	BS 1452 Grade 14
Coupling:	SG Iron	BS 2789 Type 2A
Pump Shaft:	Stainless Steel	BS 970 431 S29
Impeller:	Stainless Steel	BS 1449 304 S15
Impeller Nut:	Stainless Steel	BS 1449 304 S15
Neck Ring:	Stainless Steel	BS 1449 304 S15
Shaft Seal:	Tungsten Carbide with EPDM Rubber 'O' Rings	
Body Gasket:	EPDM Rubber	
Air Vent Screw:	Brass	

TYPE DESIGNATION

LP 100-125

In-line version	} Nominal diameter of impeller in mm
M = 4-pole standard motor	
P = 2-pole standard motor	

Subject to alterations

GRUNDFOS

Grundfos Pumps Ltd. Head Office: Grovebury Road, Leighton Buzzard, Beds. LU7 8TL. Tel (0525) 374876. Telex 825544.
Northern Area Sales Office: Gawsworth Court, Risley Road, Risley, Warrington, Cheshire. Tel: Padgate (0925) 813300. Telex 628162.



GRUNDFOS®

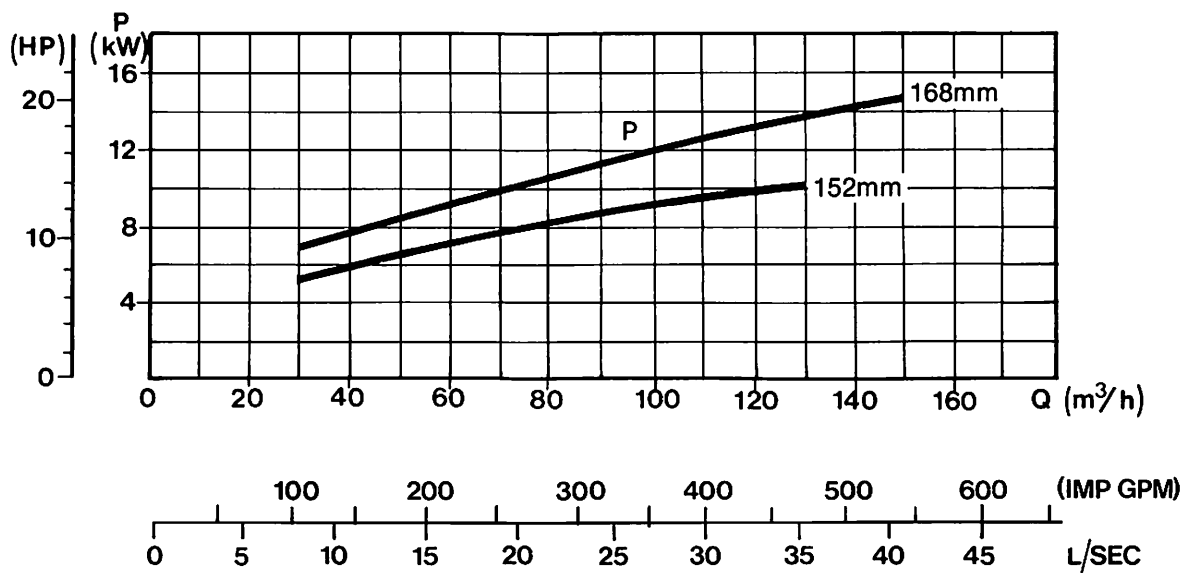
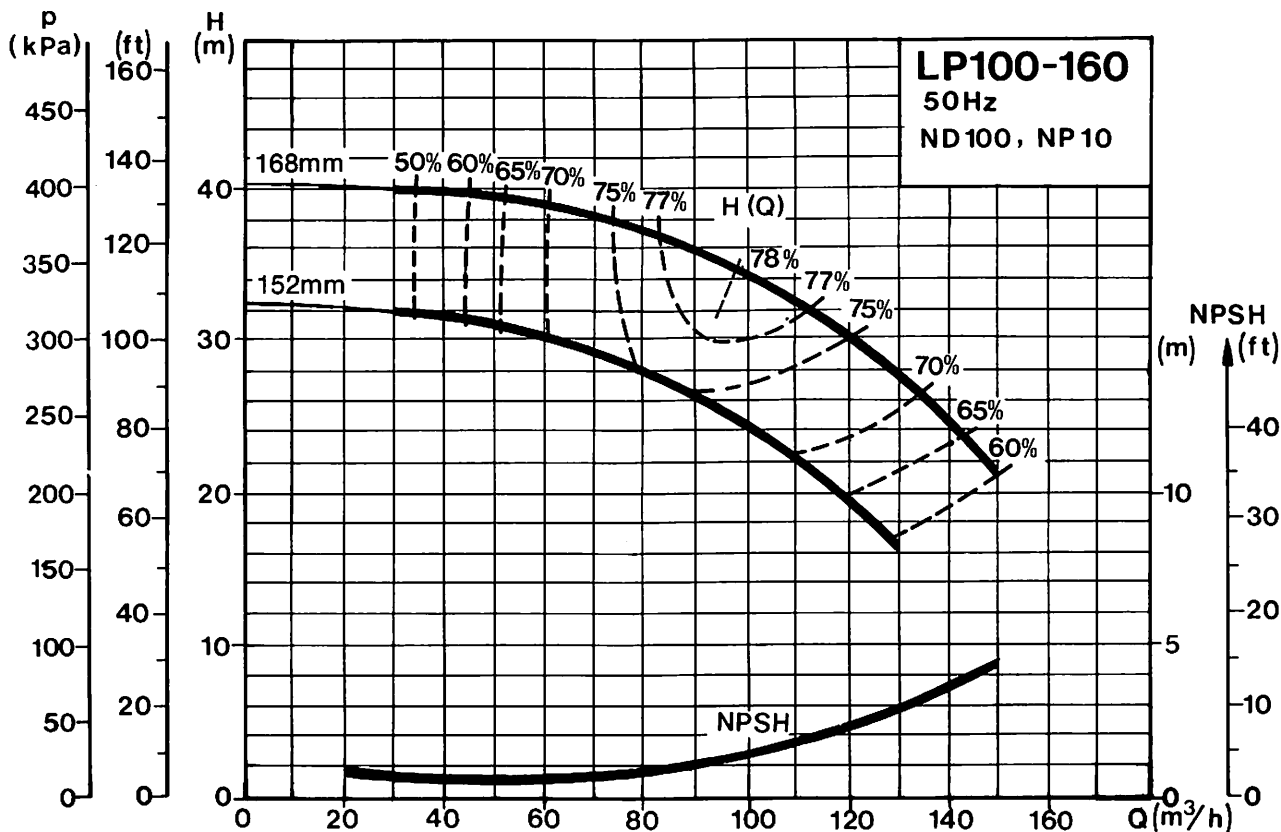
LP 100-160

GB

SINGLE-STAGE IN-LINE PUMPS

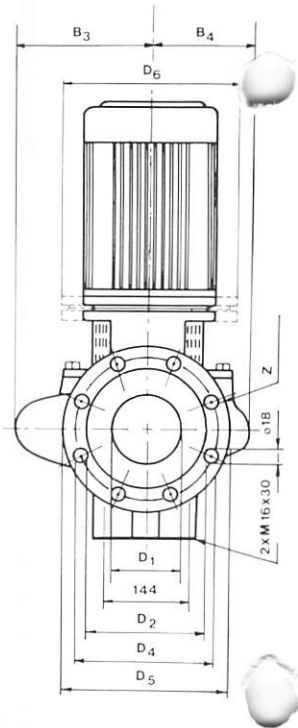
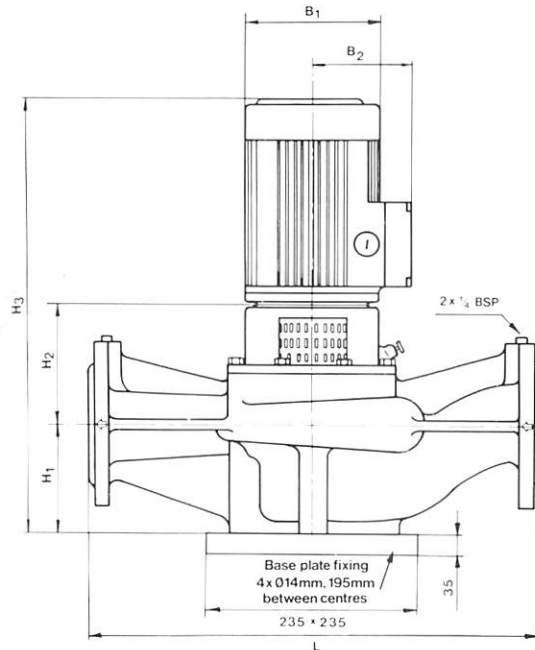
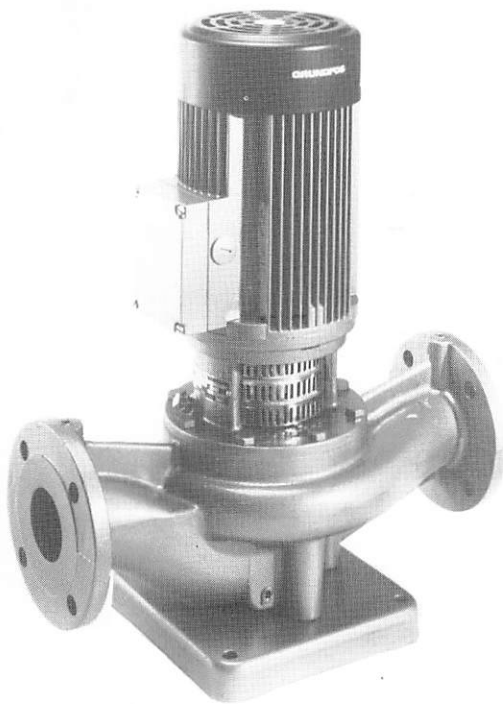
50 Hz

TECHNICAL DATA



- Max. operating pressure: 10 bars (1.0 MPa).
- Liquid temperature: - 20° C to 120° C.
- The performance range of the LM/LP pumps covers 10-150 m³/h (37-550 IMP GPM).
- The pump may be installed with the pump shaft vertical or horizontal, but never with the motor pointing downwards.

LP 100-160



Dimensions and weights

Model	B1 mm	B2 mm	B3 mm	B4 mm	D1 mm	D2 mm	No. Z	D4 mm	D5 mm	D6 mm	H1 mm	H2 mm	H3 mm	L mm	Net weight kgs	Gross weight kgs	Shipp. volume m ³
LP 100-160/168	313	242	180	150	100	160	8	180	220	350	110	268	862	550	146	186	0.37
LP 100-160/152	258	200	180	150	100	160	8	180	220	350	110	268	862	550	146	185	0.37

Construction

The Grundfos LM/LP single-stage pumps are fitted with standard metric motors. The cast iron pump housing has in-line suction and discharge ports of identical dimensions, which are flanged in accordance with BS 4504: 1969, Table 16/11, both flanges having pressure gauge tappings of 1/4" B.S.P. Screwed boss counter flanges to Table 16/4 are available, as an optional extra.

The pump incorporates a mechanical shaft seal with seal faces of tungsten carbide and EPDM rubber O rings. The dimensions of the seal housing comply with the DIN 24960 standard, enabling different seals to be fitted, if necessary.

Both shaft seal and air vent screw are fitted in the cast iron pump head. Circulation of liquid in the duct of the air vent screw ensures lubrication and cooling of the seal faces.

The fabricated stainless steel impeller, which is splined to the stainless steel pump shaft, is both strong, light and has double curved blades for high efficiency and good suction characteristics.

The low mass of the impeller gives smooth, quiet operation and the corrosion resistant properties of stainless steel ensure that the original performance is maintained.

A base plate for easy mounting is fitted as standard to each pump.

Motor Data 3 x 415V & 3 x 380V, 50 Hz

Model	Motor size kW	Full load current (A)		Locked rotor current ratio	Speed R.P.M.
		3x415V	3x380V		
LP 100-160/168	15.0	27.0	29.0	6.5	2900
LP 100-160/152	11.0	19.5	21.5	6.5	2900

Material Specification:

Pump Base:	Cast Iron	BS 1452 Grade 14
Pump Head:	Cast Iron	BS 1452 Grade 14
Coupling:	SG Iron	BS 2789 Type 2A
Pump Shaft:	Stainless Steel	BS 970 431 S29
Impeller:	Stainless Steel	BS 1449 304 S15
Impeller Nut:	Stainless Steel	BS 1449 304 S15
Neck Ring:	Stainless Steel	BS 1449 304 S15
Shaft Seal:	Tungsten Carbide with EPDM Rubber 'O' Rings	
Body Gasket:	EPDM Rubber	
Air Vent Screw:	Brass	

TYPE DESIGNATION

LP 100-160

In-line version	} Nominal diameter of impeller in mm	
M = 4-pole standard motor		} Nominal diameter of ports in mm
P = 2-pole standard motor		

Subject to alterations



Grundfos Pumps Ltd. Head Office: Grovebury Road, Leighton Buzzard, Beds. LU7 8TL. Tel: (0525) 374876. Telex 825544.
Northern Area Sales Office: Gawsworth Court, Risley Road, Risley, Warrington, Cheshire. Tel: Padgate (0925) 813300. Telex 628162.



GRUNDFOS®

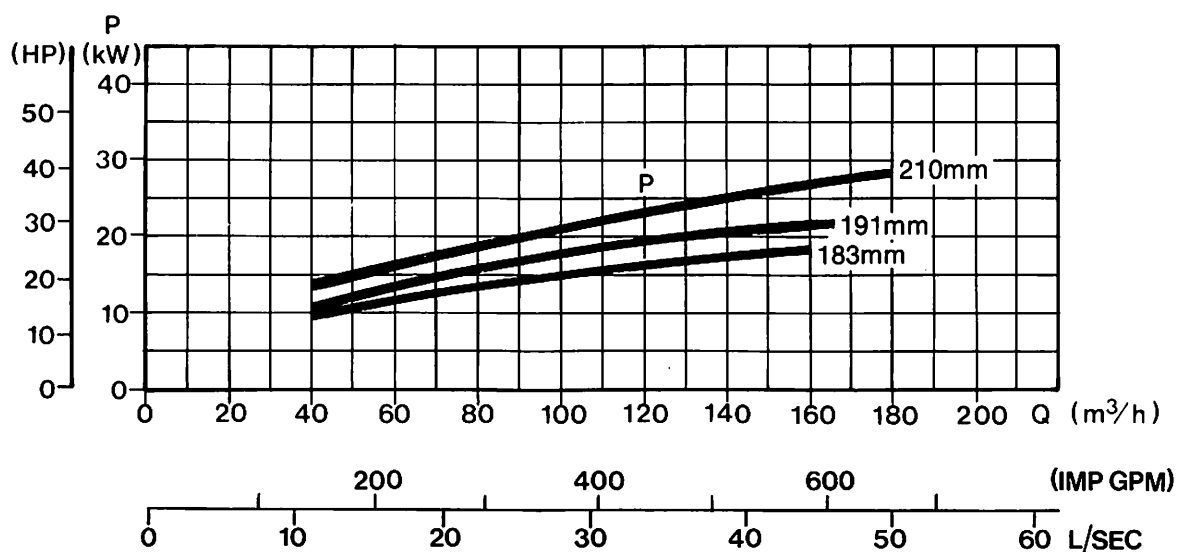
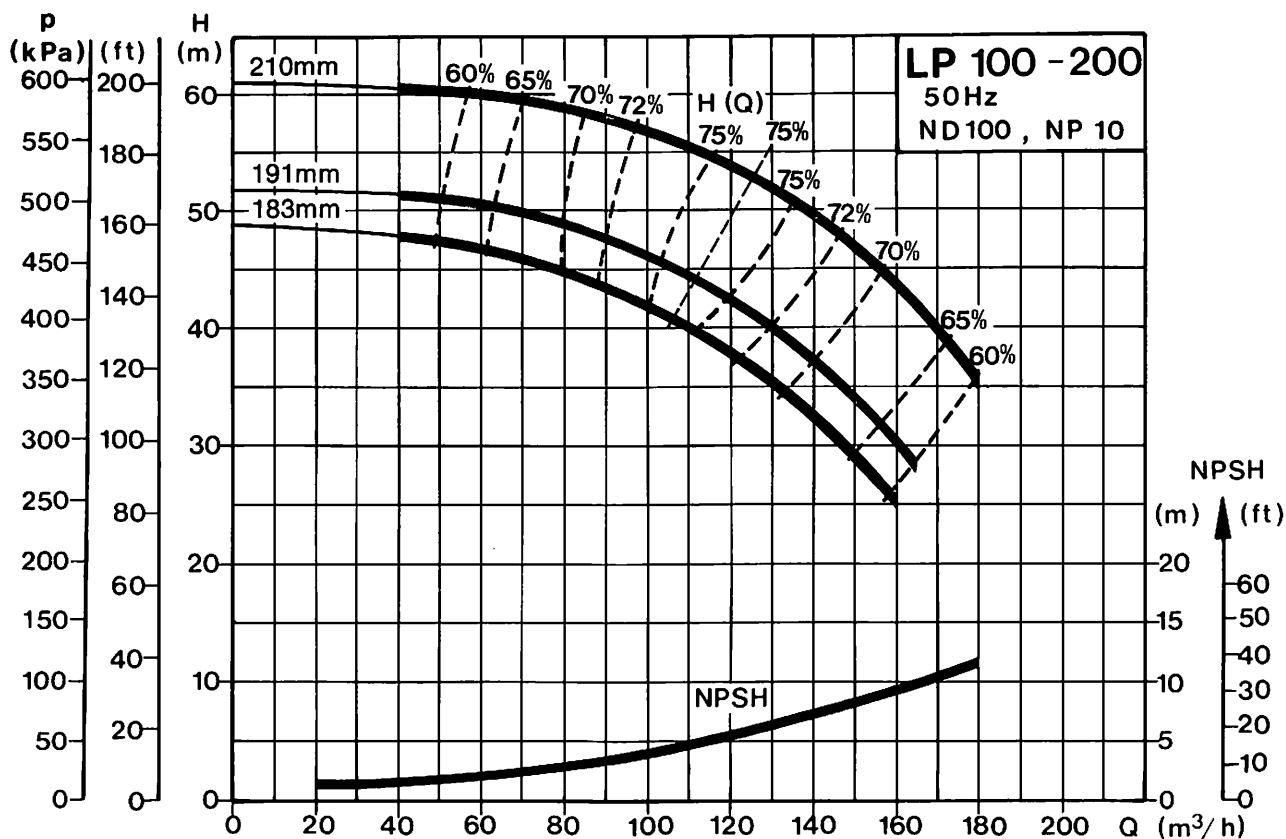
LP 100-200



SINGLE-STAGE IN-LINE PUMPS

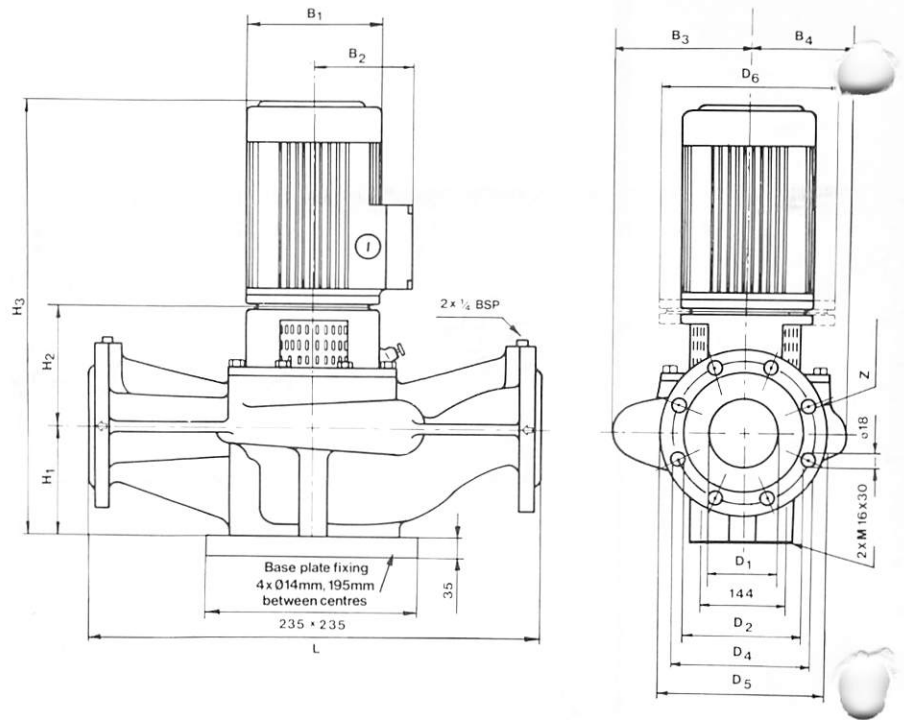
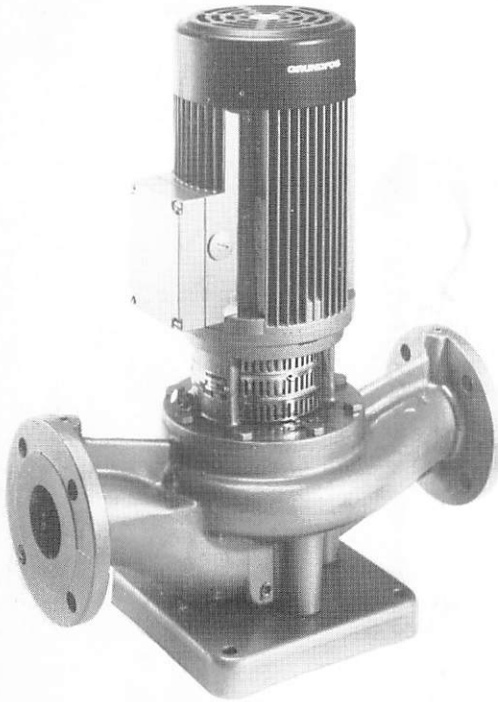
50 Hz

TECHNICAL DATA



- Max. operating pressure: 10 bars (1.0 MPa).
- Liquid temperature: - 20° C to 120° C.
- The performance range of the LM/LP pumps covers 10-150 m³/h (37-550 IMP GPM).
- The pump may be installed with the pump shaft vertical or horizontal, but never with the motor pointing downwards.

LP 100-200



Dimensions and weights

Model	B1 mm	B2 mm	B3 mm	B4 mm	D1 mm	D2 mm	No. Z	D4 mm	D5 mm	D6 mm	H1 mm	H2 mm	H3 mm	L mm	Net weight kgs	Gross weight kgs	Shipp. volume m ³
LP100-200/210	351	261	180	150	100	160	8	180	220	400	110	279	1090	550	286	312	0.43
LP100-200/191	351	261	180	150	100	160	8	180	220	350	110	279	873	550	175	215	0.43
LP100-200/183	313	242	180	150	100	160	8	180	220	350	110	279	873	550	163	207	0.37

Construction

The Grundfos LM/LP single-stage pumps are fitted with standard metric motors. The cast iron pump housing has in-line suction and discharge ports of identical dimensions, which are flanged in accordance with BS 4504: 1969, Table 16/11, both flanges having pressure gauge tapings of 1/4" B.S.P. Screwed boss counter flanges to Table 16/4 are available, as an optional extra.

The pump incorporates a mechanical shaft seal with seal faces of carbon/ceramic and EPDM rubber O rings. The dimensions of the seal housing comply with the DIN 24960 standard, enabling different seals to be fitted, if necessary.

Both shaft seal and air vent screw are fitted in the cast iron pump head. Circulation of liquid in the duct of the air vent screw ensures lubrication and cooling of the seal faces.

The fabricated stainless steel impeller, which is splined to the stainless steel pump shaft, is both strong, light and has double curved blades for high efficiency and good suction characteristics.

The low mass of the impeller gives smooth, quiet operation and the corrosion resistant properties of stainless steel ensure that the original performance is maintained.

A base plate for easy mounting is fitted as standard to each pump.

Motor Data 3 x 415V & 3 x 380V, 50 Hz

Model	Motor size kW	Full load current (A)		Locked rotor current ratio	Speed R.P.M.
		3x415V	3x380V		
LP100-200/210	30.0	57.0	55.0	6.0	29
LP100-200/191	22.0	39.0	41.5	6.7	2910
LP100-200/183	18.5	33.0	35.0	6.8	2910

Material Specification:

Pump Base:	Cast Iron	BS 1452 Grade 14
Pump Head:	Cast Iron	BS 1452 Grade 14
Coupling:	SG Iron	BS 2789 Type 2A
Pump Shaft:	Stainless Steel	BS 970 431 S29
Impeller:	Stainless Steel	BS 1449 304 S15
Impeller Nut:	Stainless Steel	BS 1449 304 S15
Neck Ring:	Stainless Steel	BS 1449 304 S15
Shaft Seal:	Carbon/Ceramic with EPDM Rubber 'O' Rings	
Body Gasket:	EPDM Rubber	
Air Vent Screw:	Brass	

TYPE DESIGNATION

LP 100-200

In-line version	_____	Nominal diameter of impeller in mm	
M = 4-pole standard motor	_____		Nominal diameter of ports in mm
P = 2-pole standard motor	_____		

Subject to alterations

GRUNDFOS

Grundfos Pumps Ltd. Head Office: Grovebury Road, Leighton Buzzard, Beds. LU7 8TL. Tel (0525) 374876. Telex 825544.
Northern Area Sales Office: Gawsworth Court, Risley Road, Risley, Warrington, Cheshire. Tel: Padgate (0925) 813300. Telex 628162.